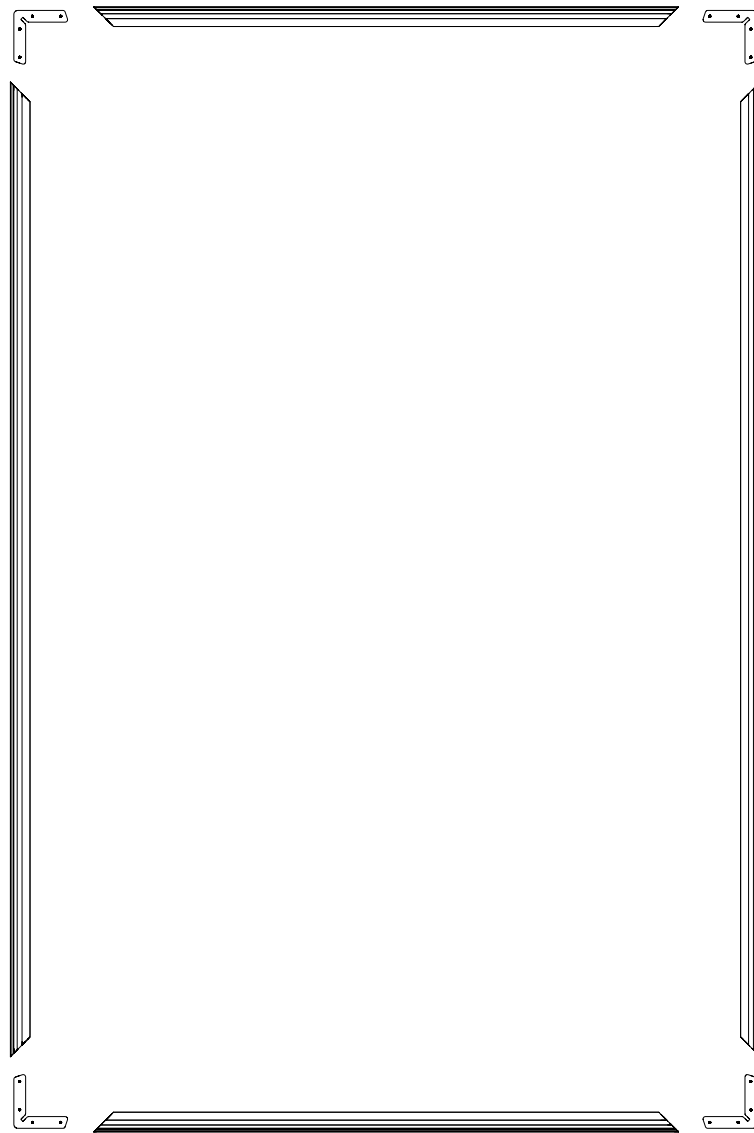
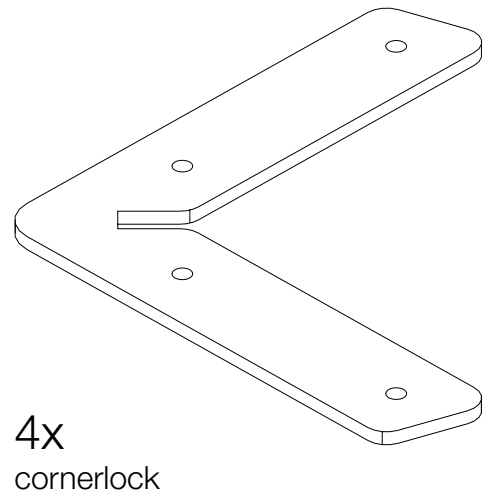
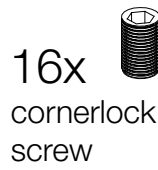
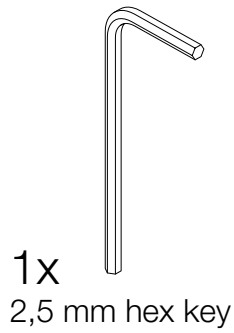
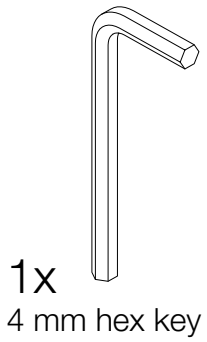


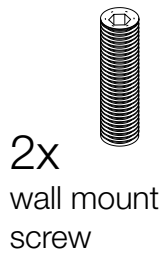
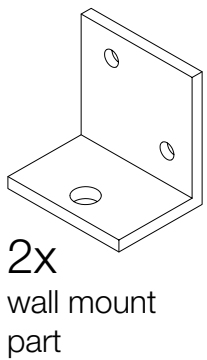
# Big Frame 28

Mounting instruction

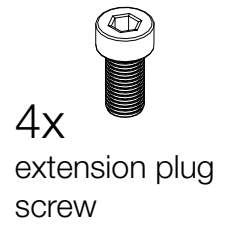
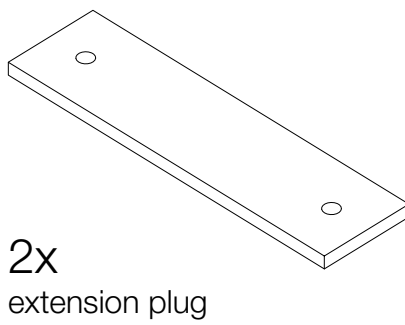




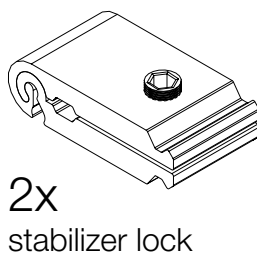
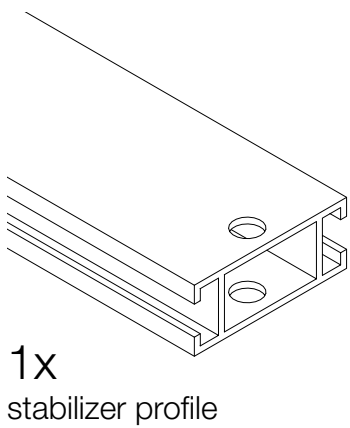
**Wall mount components  
(optional)**



**Extension components  
(optional)**

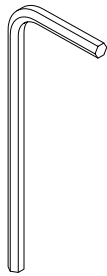
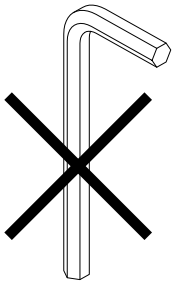


**Stabilizer components  
(optional)**

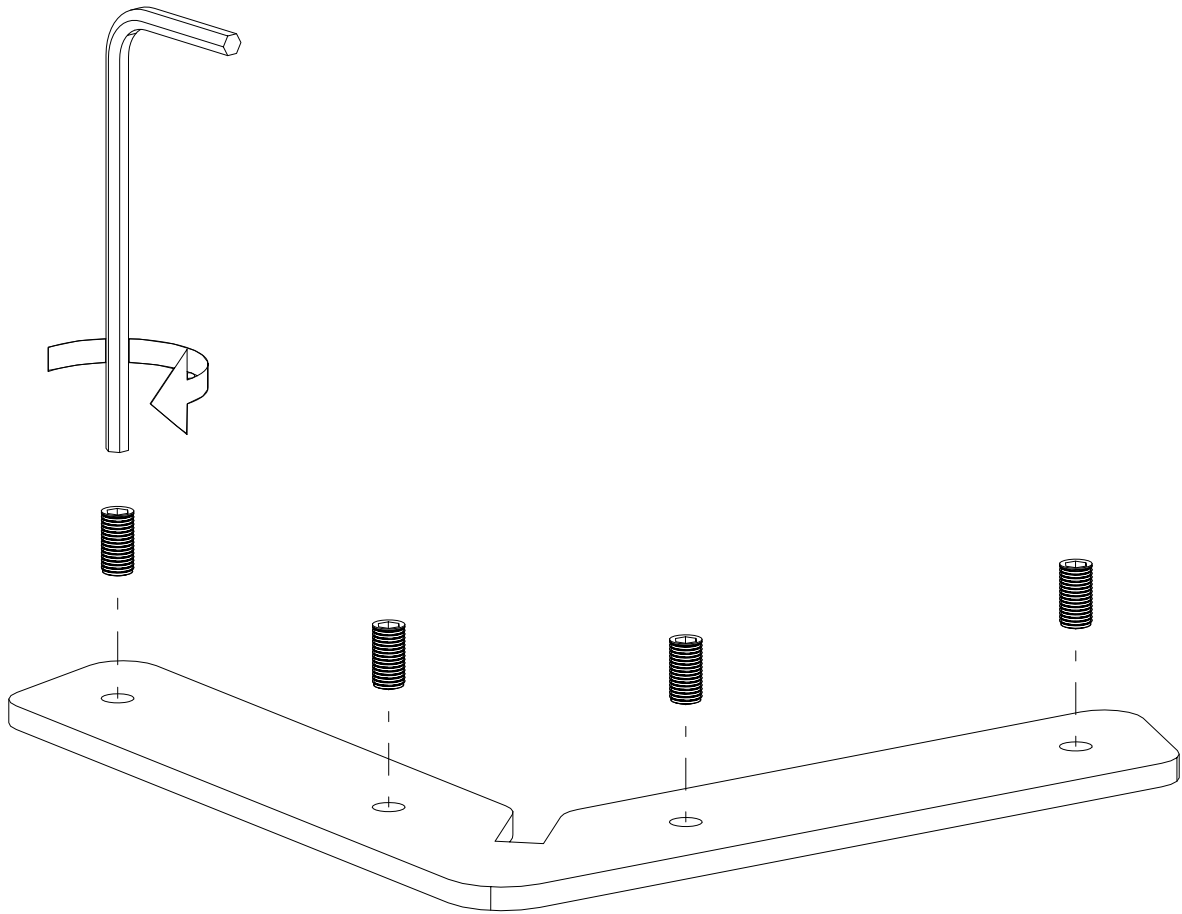
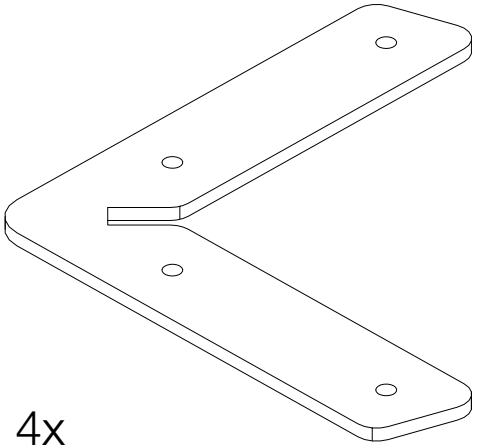


**Caution !  
Sharp edges**

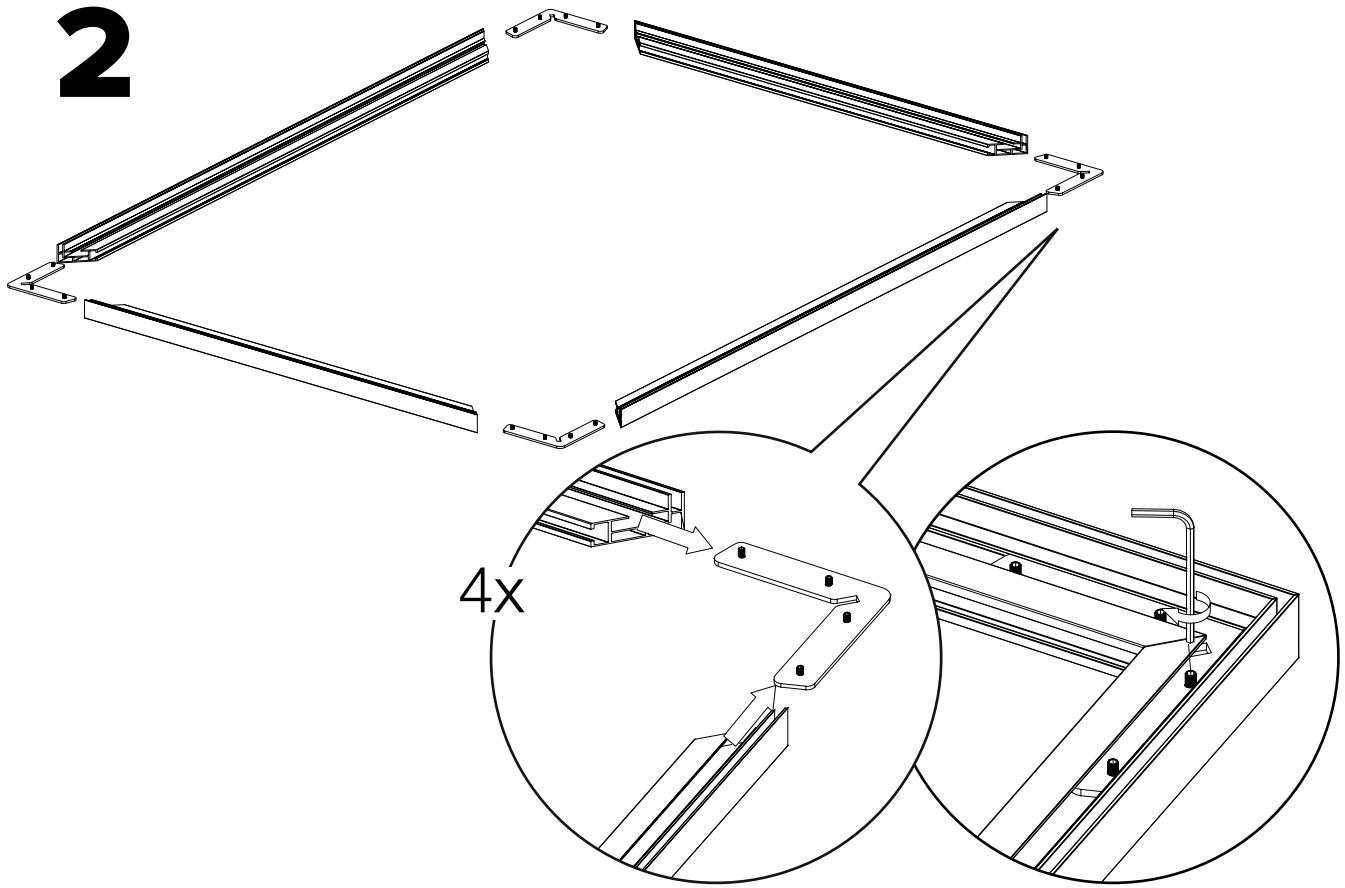
1



16x 

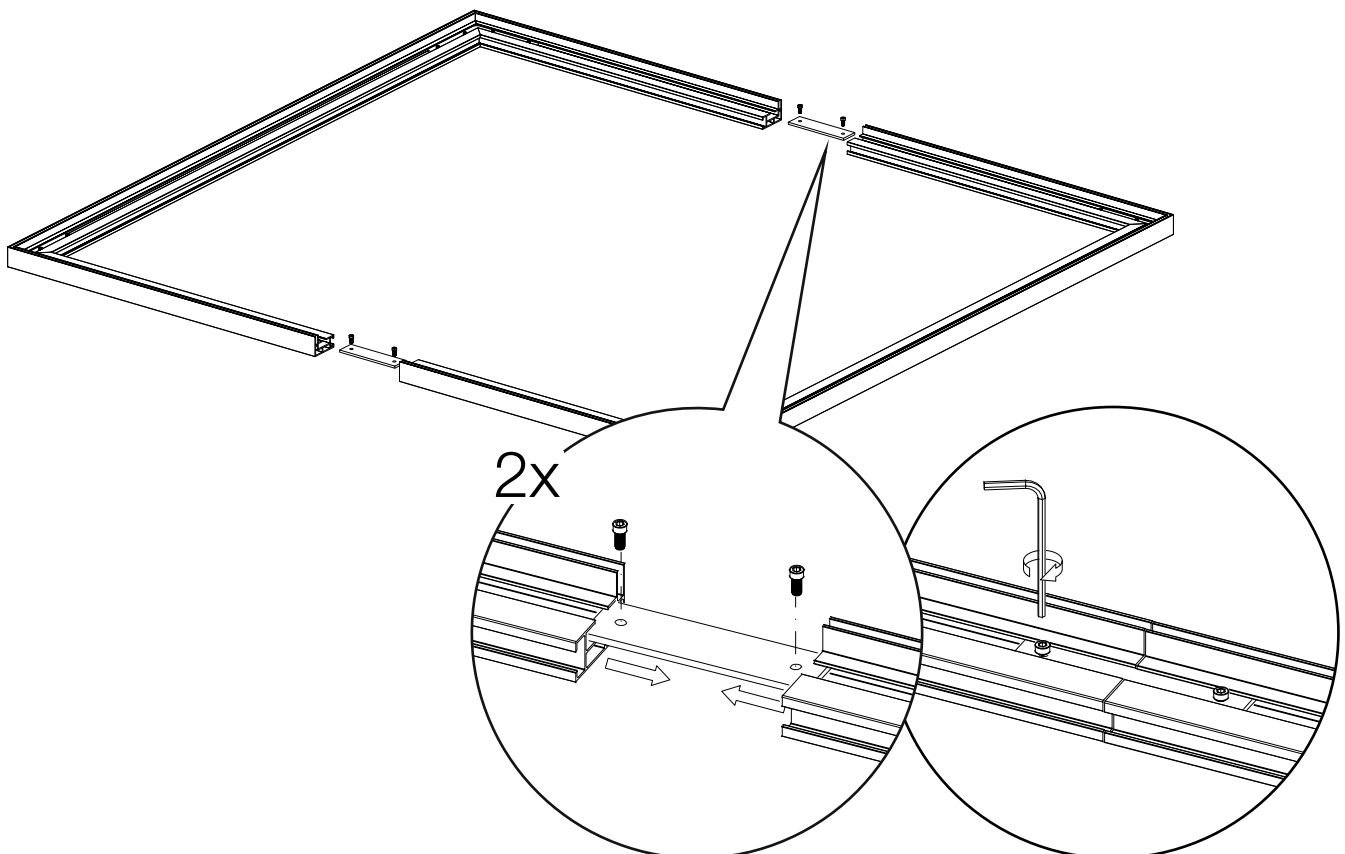


**2**



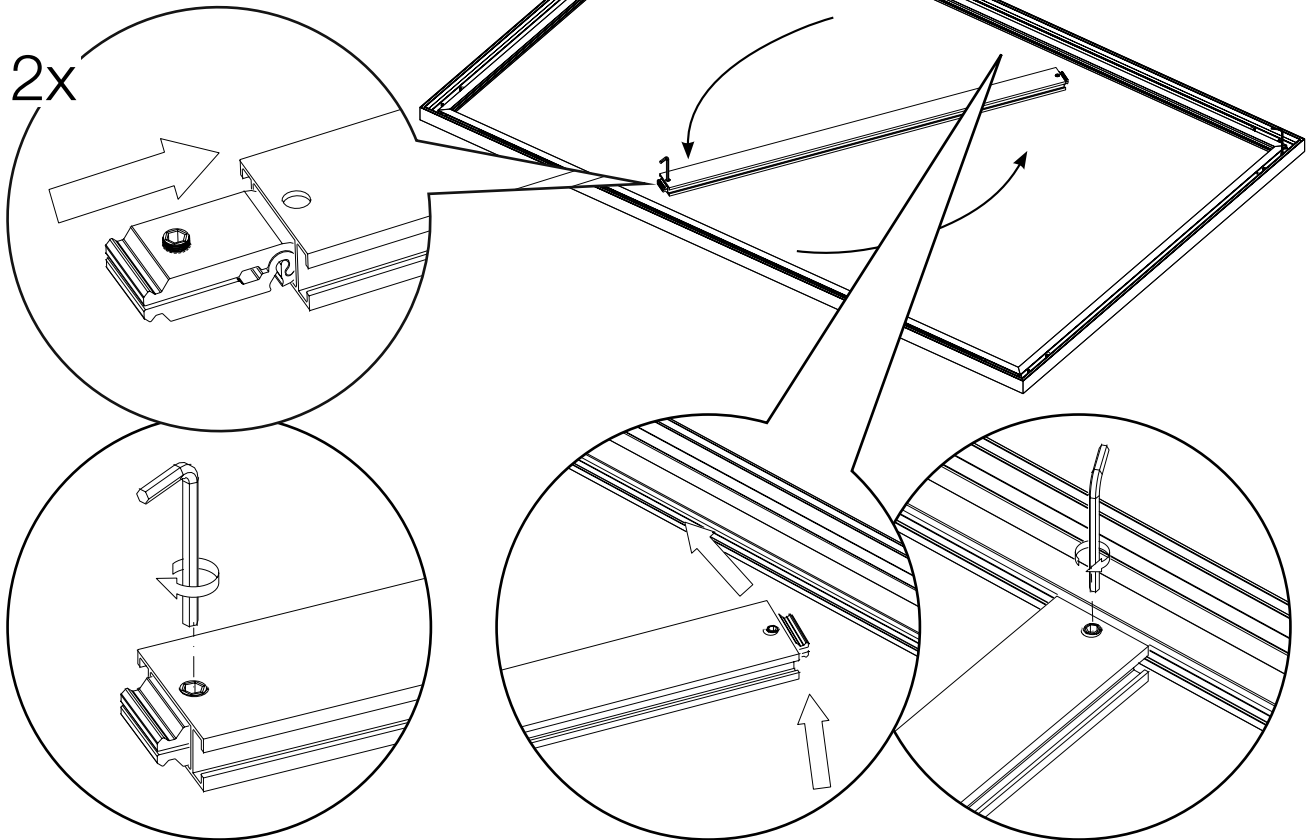
**3**

In case of extension plugs

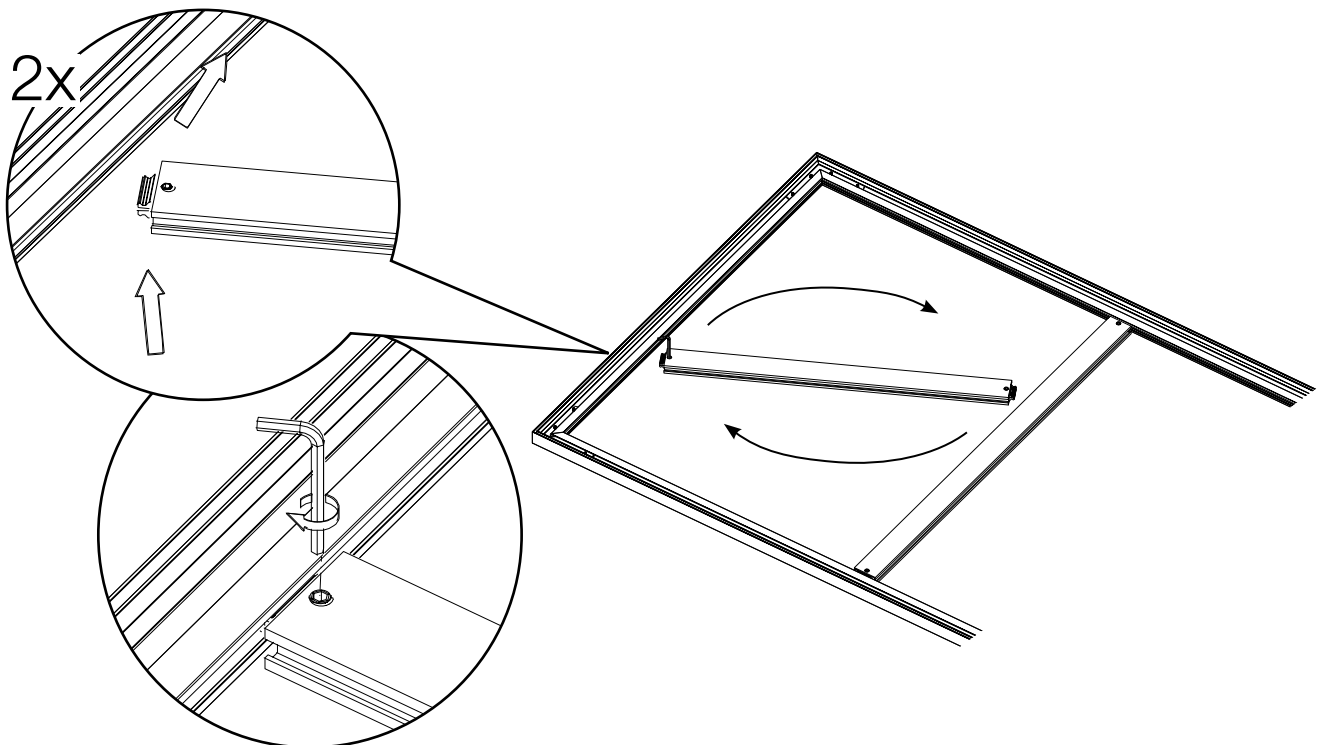


# 4 In case of stabilizers

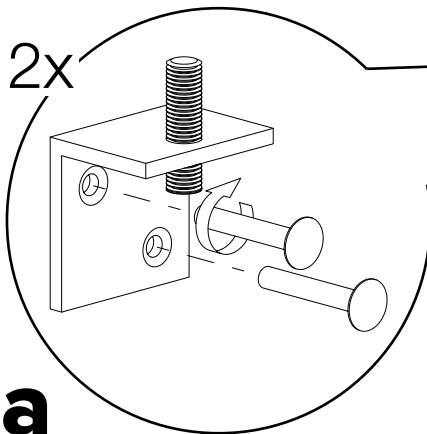
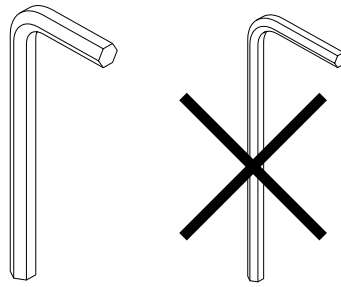
## 4.1 For 1 stabilizer



## 4.2 For 2 stabilizers

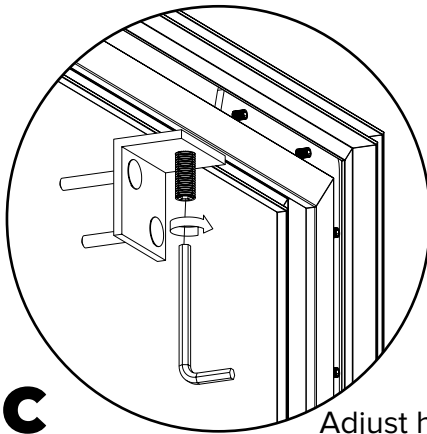


# 5 Support system



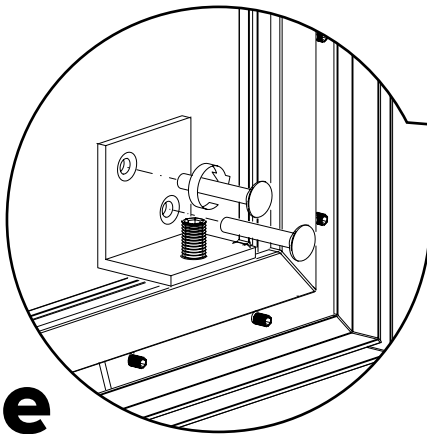
5a

5b



5c

Adjust height



5e

5d

