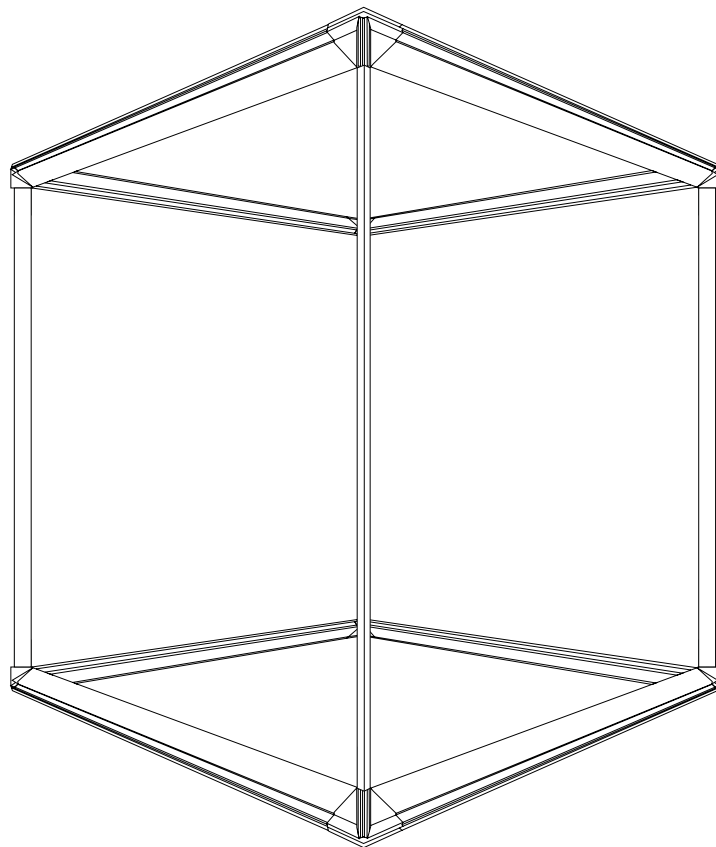
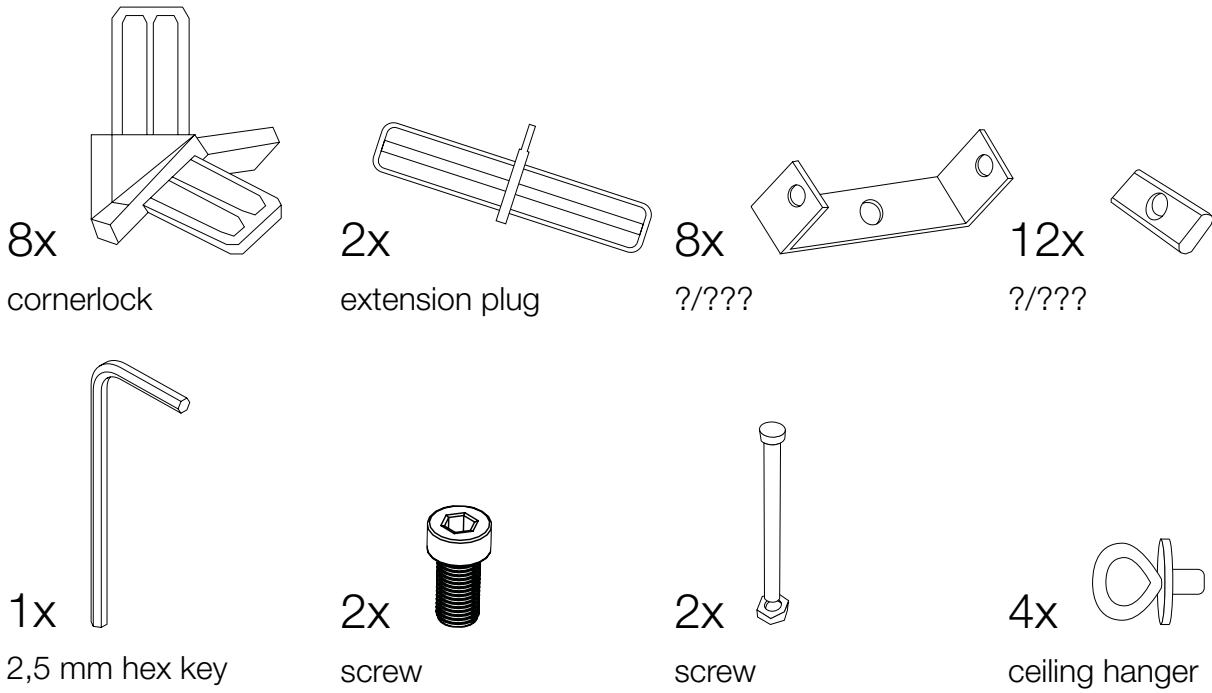


# Cube

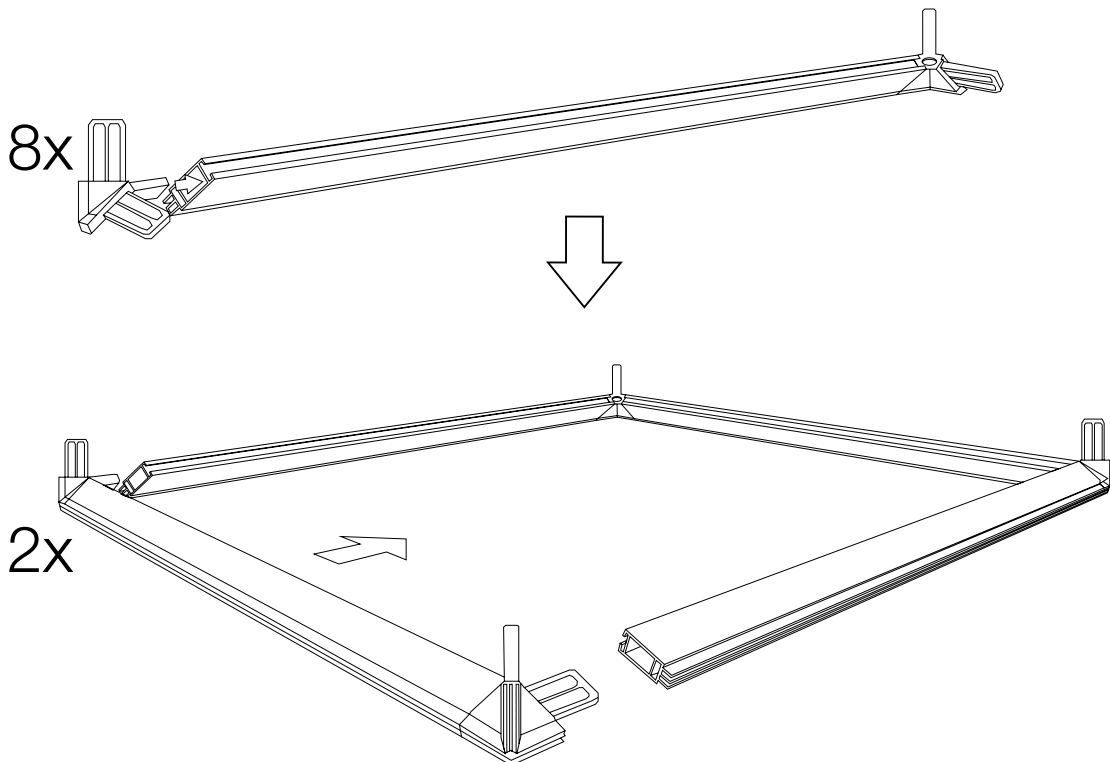
Mounting instruction

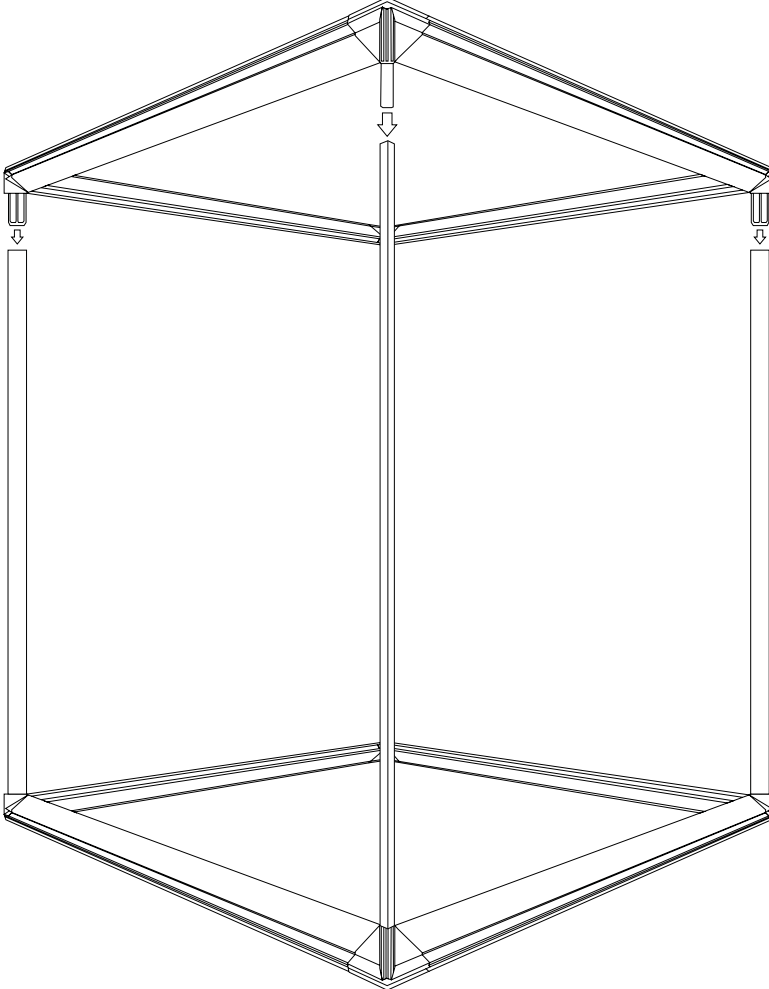
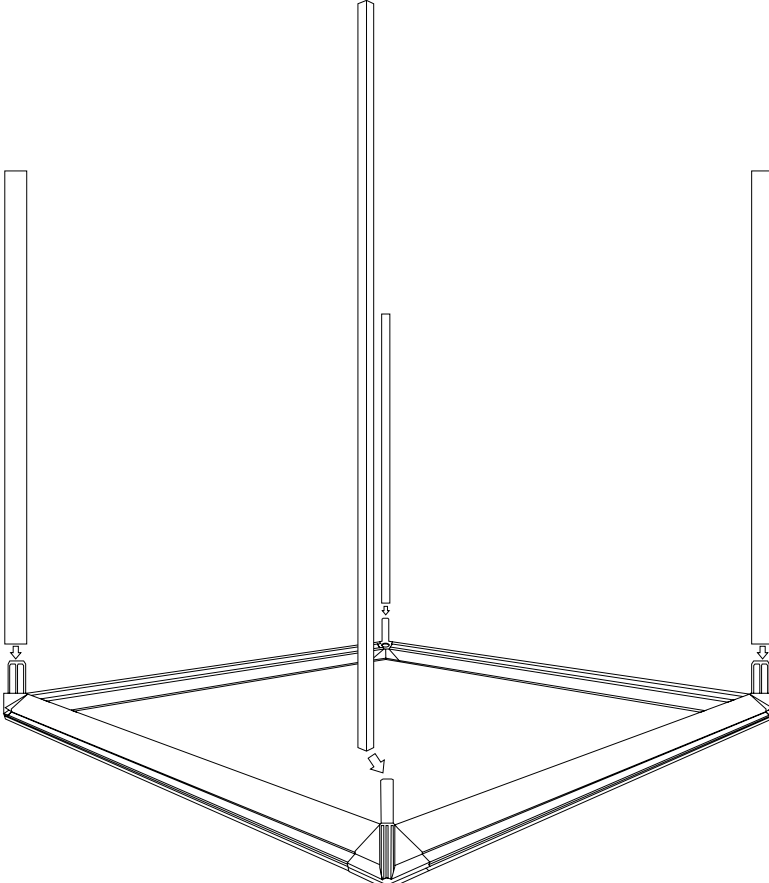




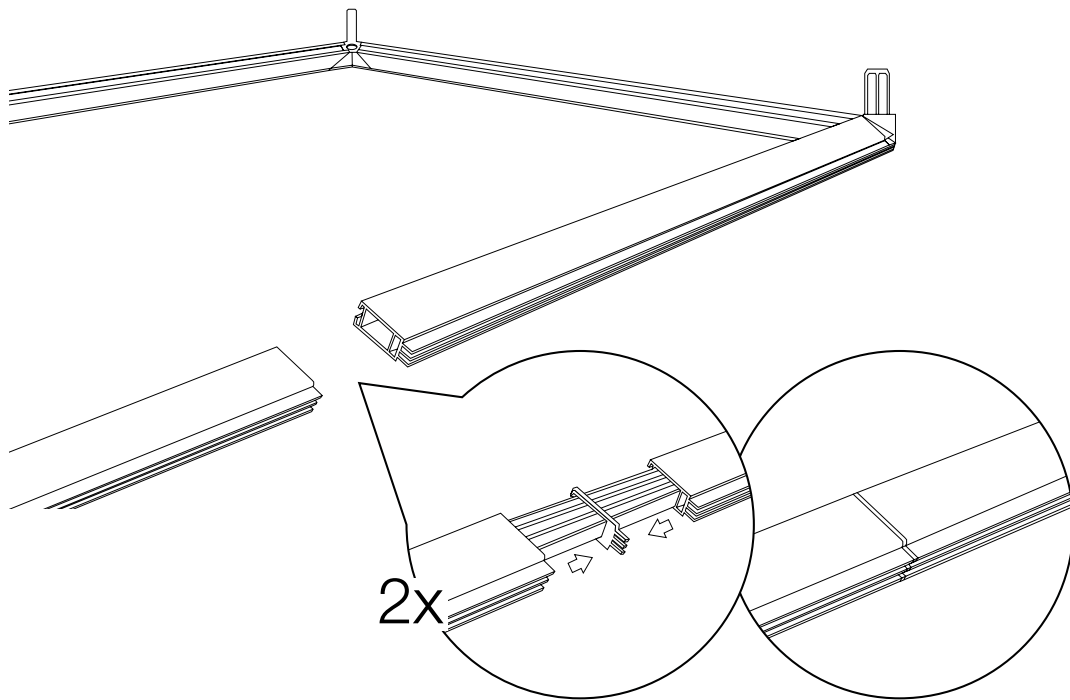
Mounting process

1

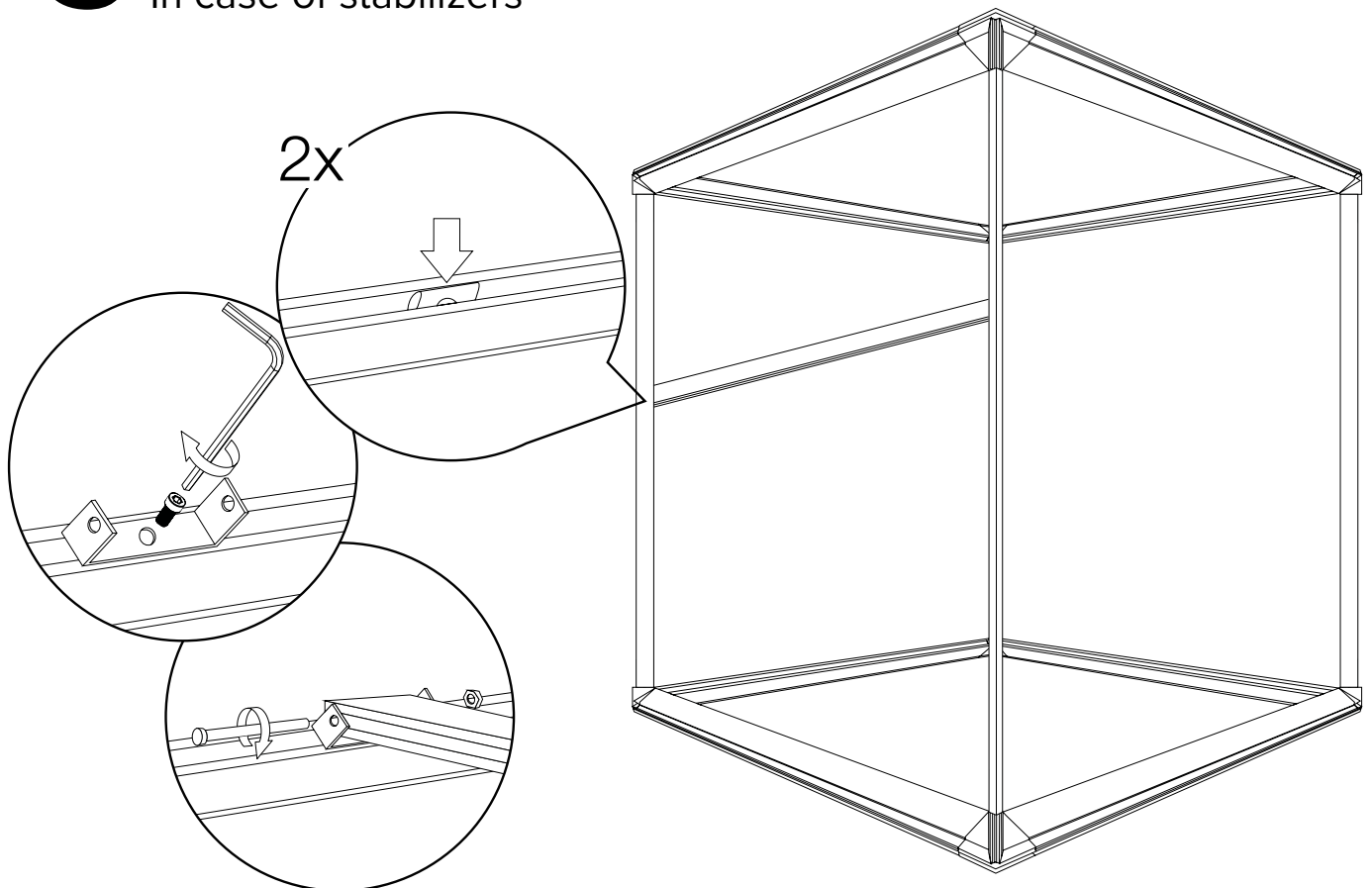




## 2 In case of extension plugs

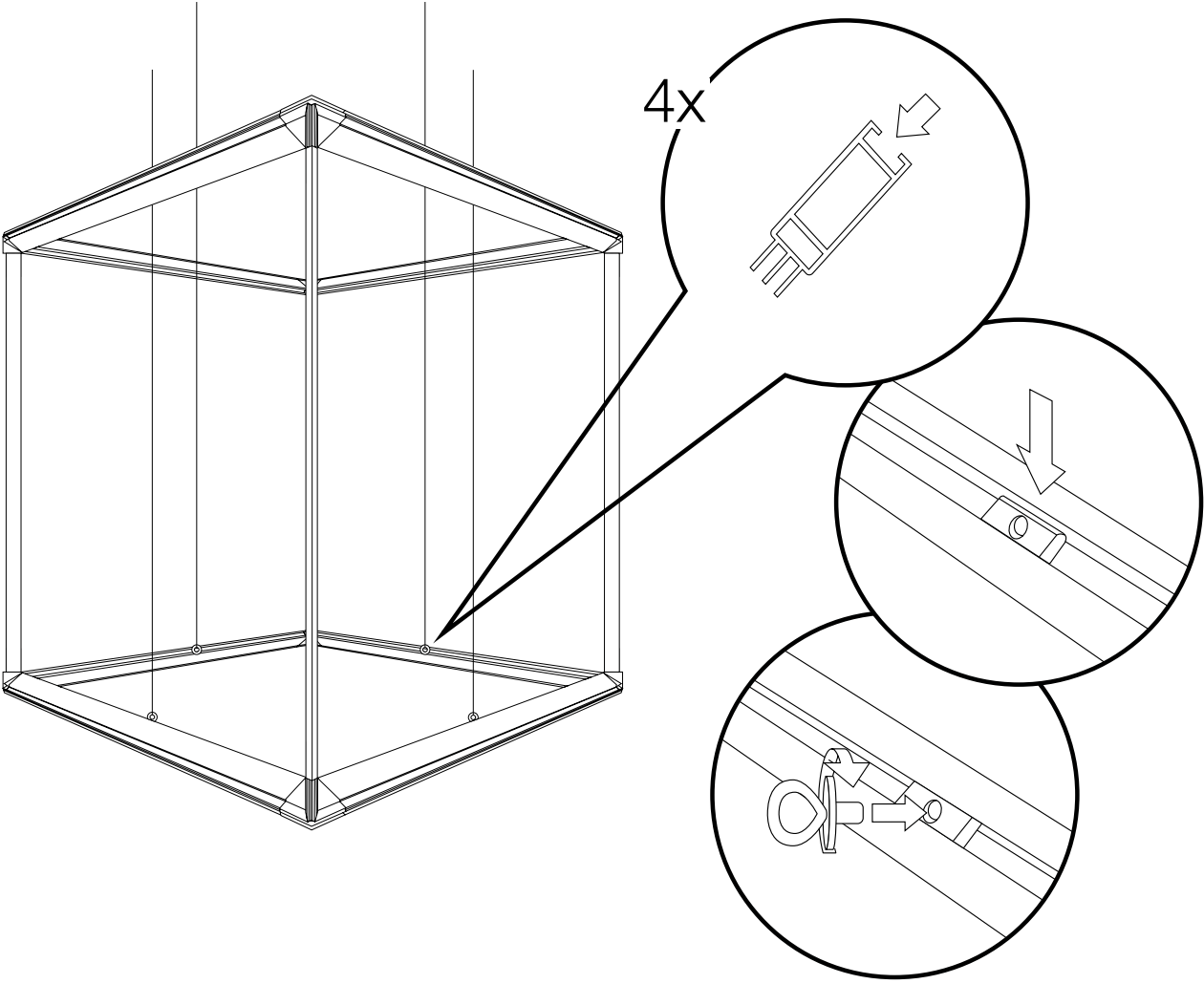


## 3 In case of stabilizers



# 2

In case of ceiling mount



# 7 Banner placement

