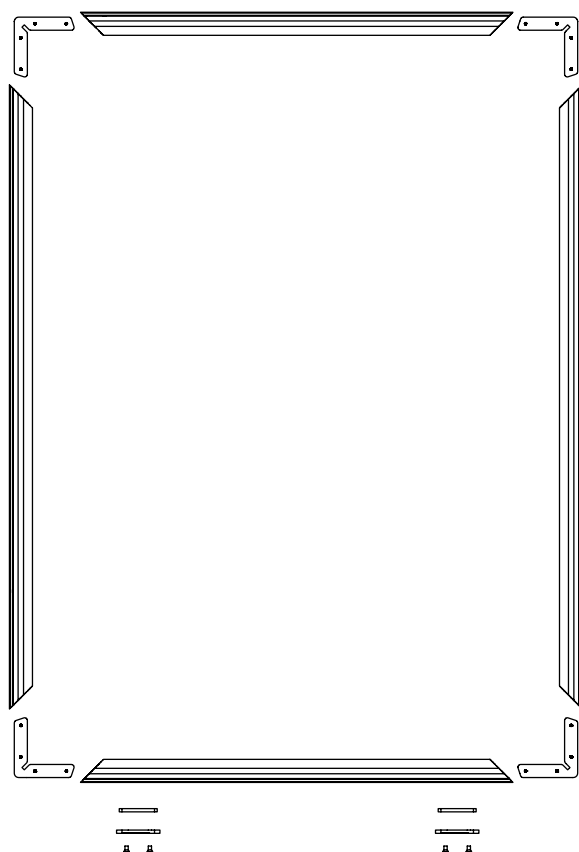


Double 44

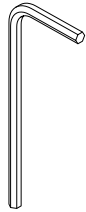
Mounting instruction



1x
4 mm hex key



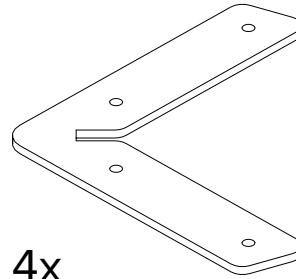
1x
2,5 mm hex key



16x
cornerlock
screw

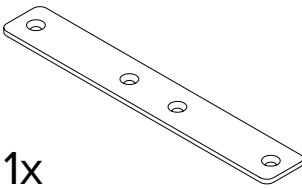


4x
cornerlock

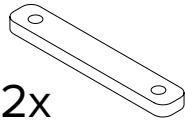


**Connector I shape components
(optional)**

1x
I connector



2x
connector plug

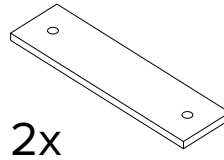


4x
connector
screw



**Extension components
(optional)**

2x
extension plug

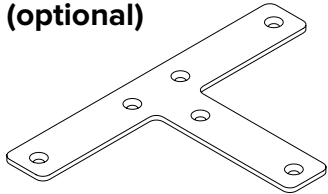


4x
extension
plug screw

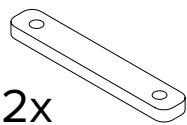


**Connector T shape components
(optional)**

1x
T connector



2x
connector plug

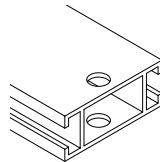


4x
connector
screw

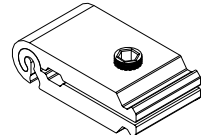


Stabilizer components (optional)

1x
stabilizer
profile

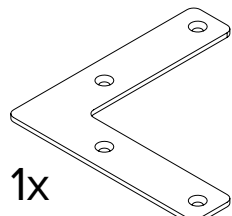


2x
stabilizer lock

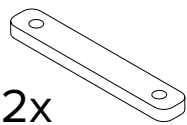


**Connector L shape components
(optional)**

1x
L connector



2x
connector plug

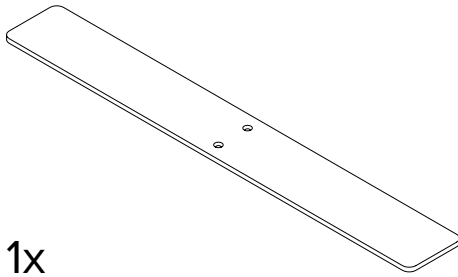


4x
connector
screw

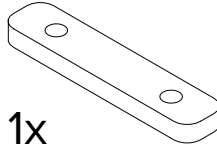


**Caution !
Sharp edges**


**Foot 600x80x6mm
components per set (optional)**



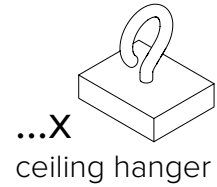
1x
foot



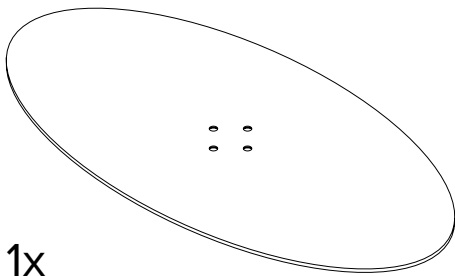
1x
foot plug

2x 
feet screw

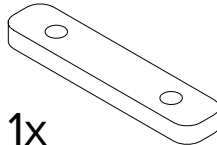
**Ceiling Hangers
(optional)**



**Oval foot
components per set (optional)**



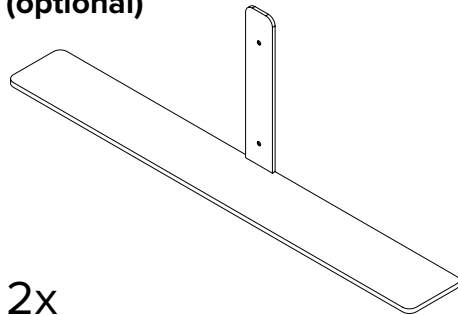
1x
Oval foot



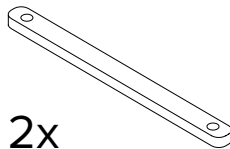
1x
foot plug

2x 
feet screw

**Foot 600x80x6mm with Side Support
(optional)**



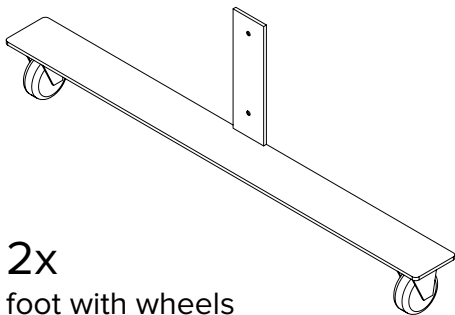
2x
foot with support



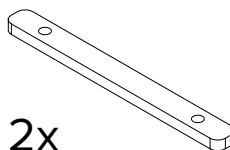
2x
foot plug

4x 
feet screw

**Foot 600x80x6mm with wheels
(optional)**



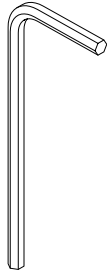
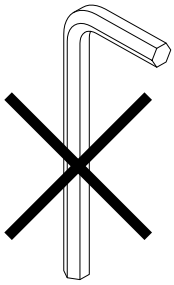
2x
foot with wheels



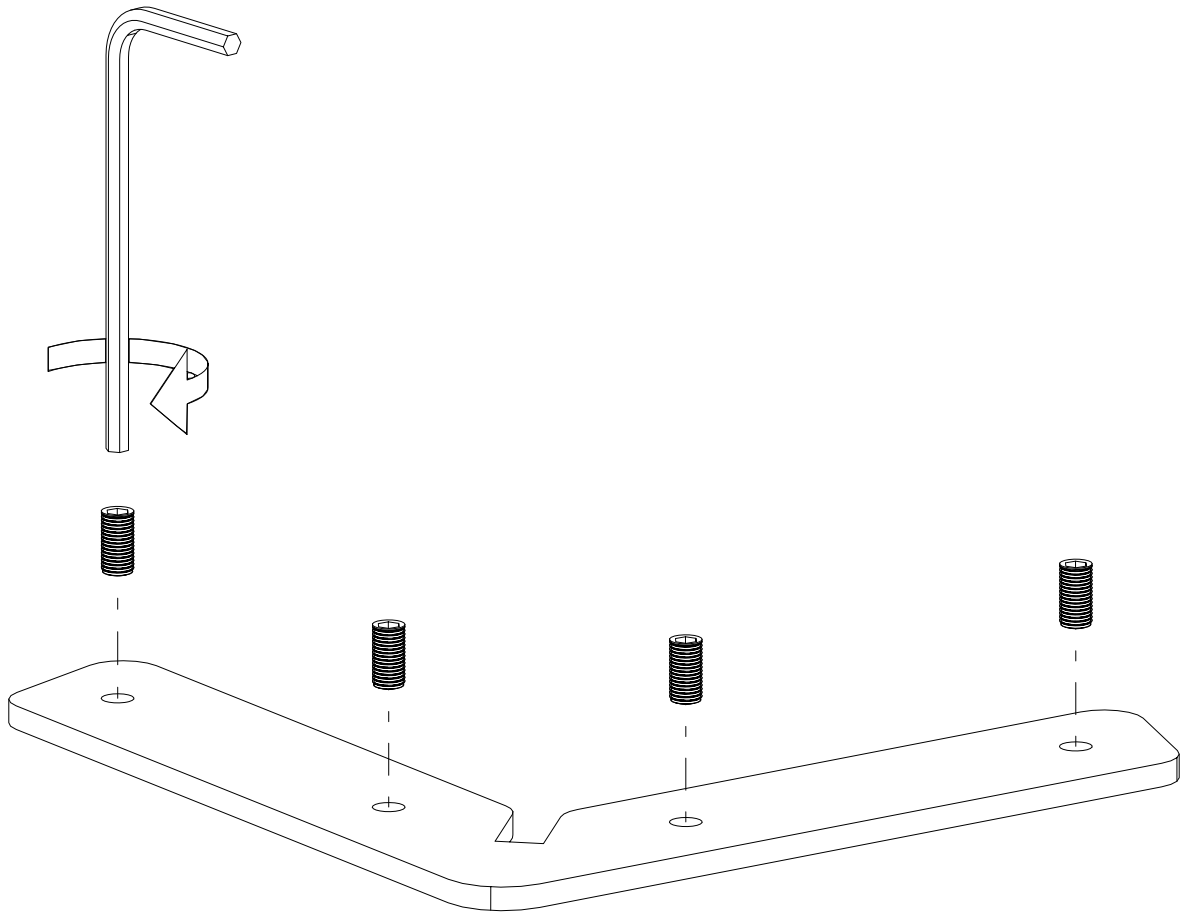
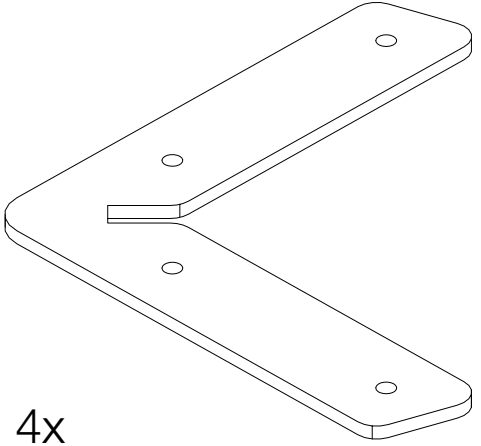
2x
foot plug

4x 
feet screw

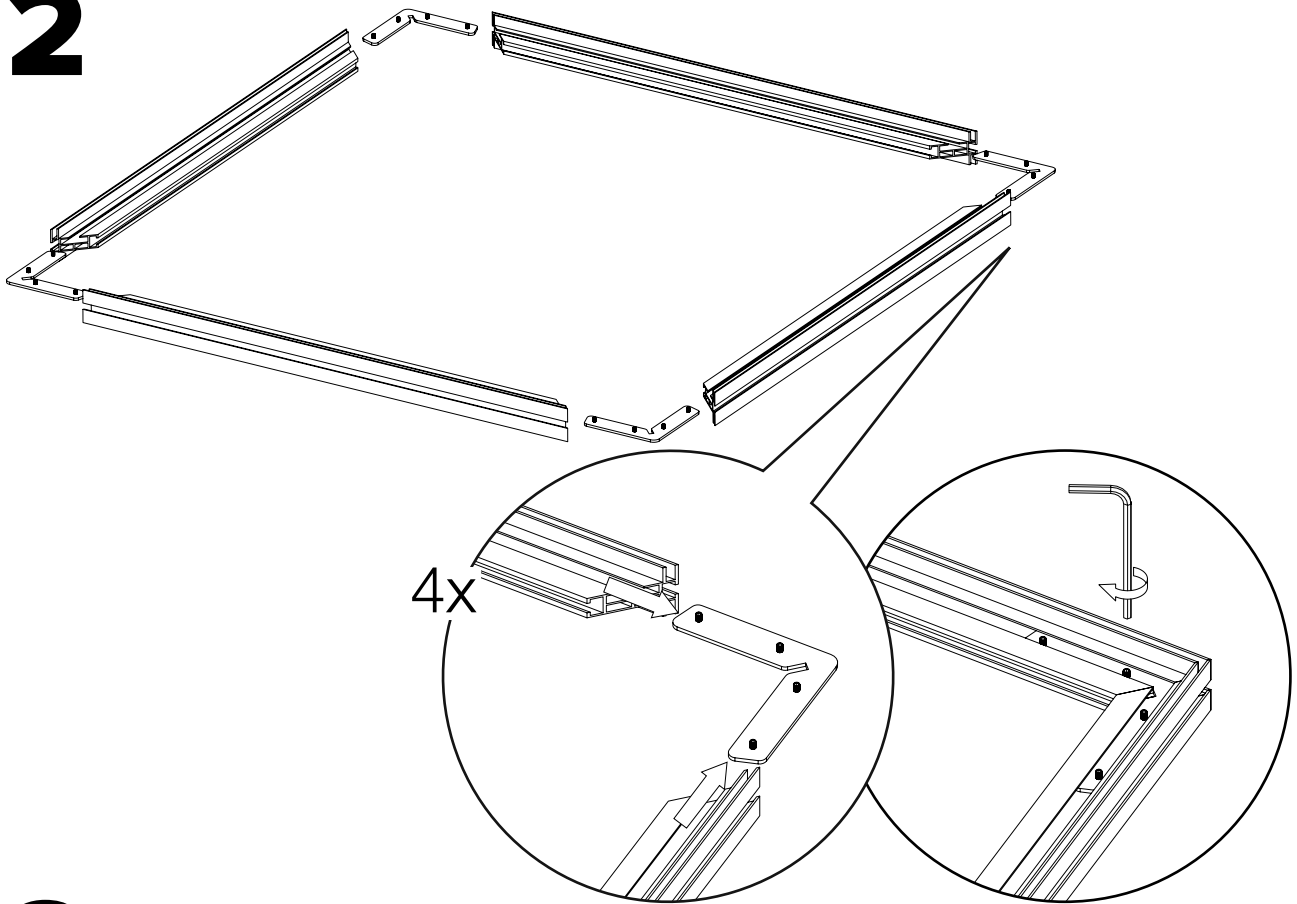
1



16x 

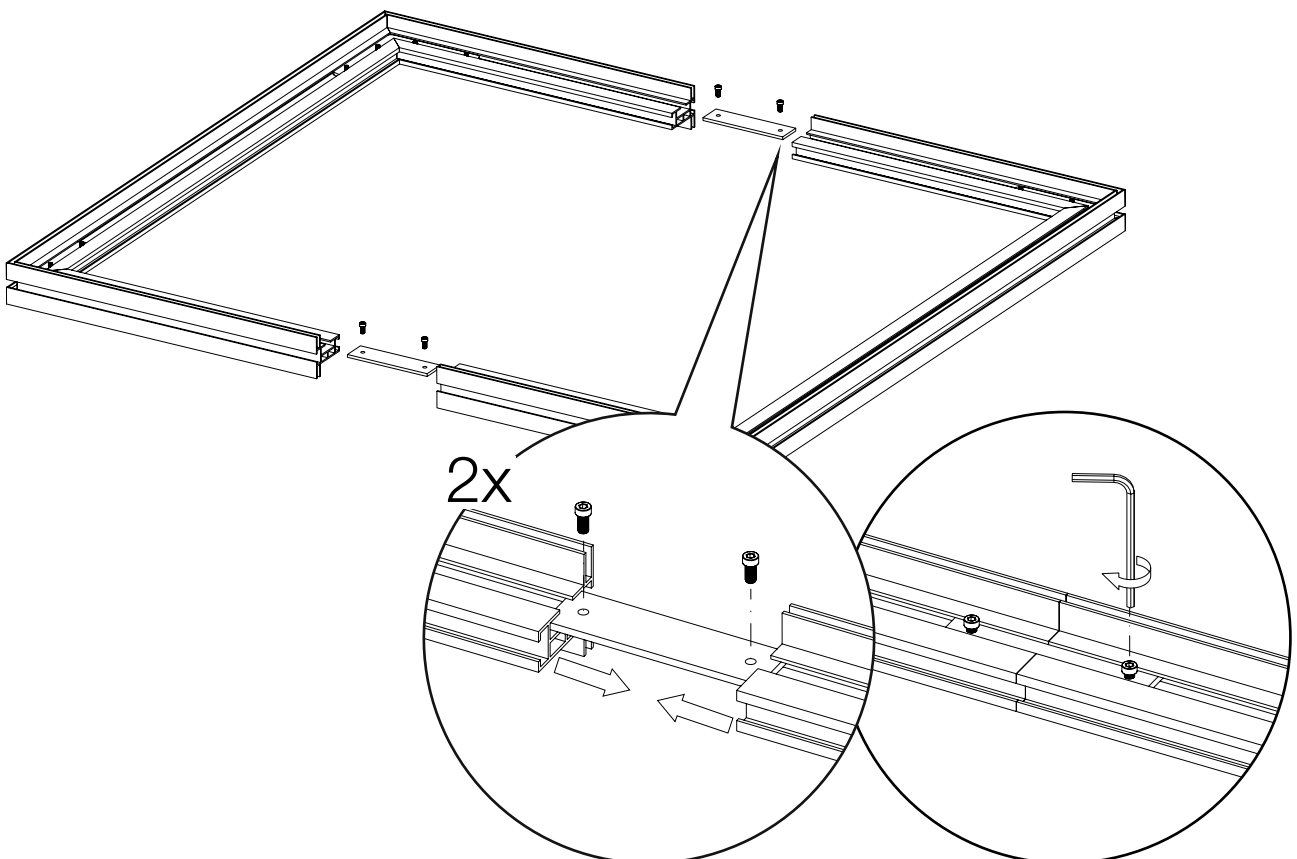


2



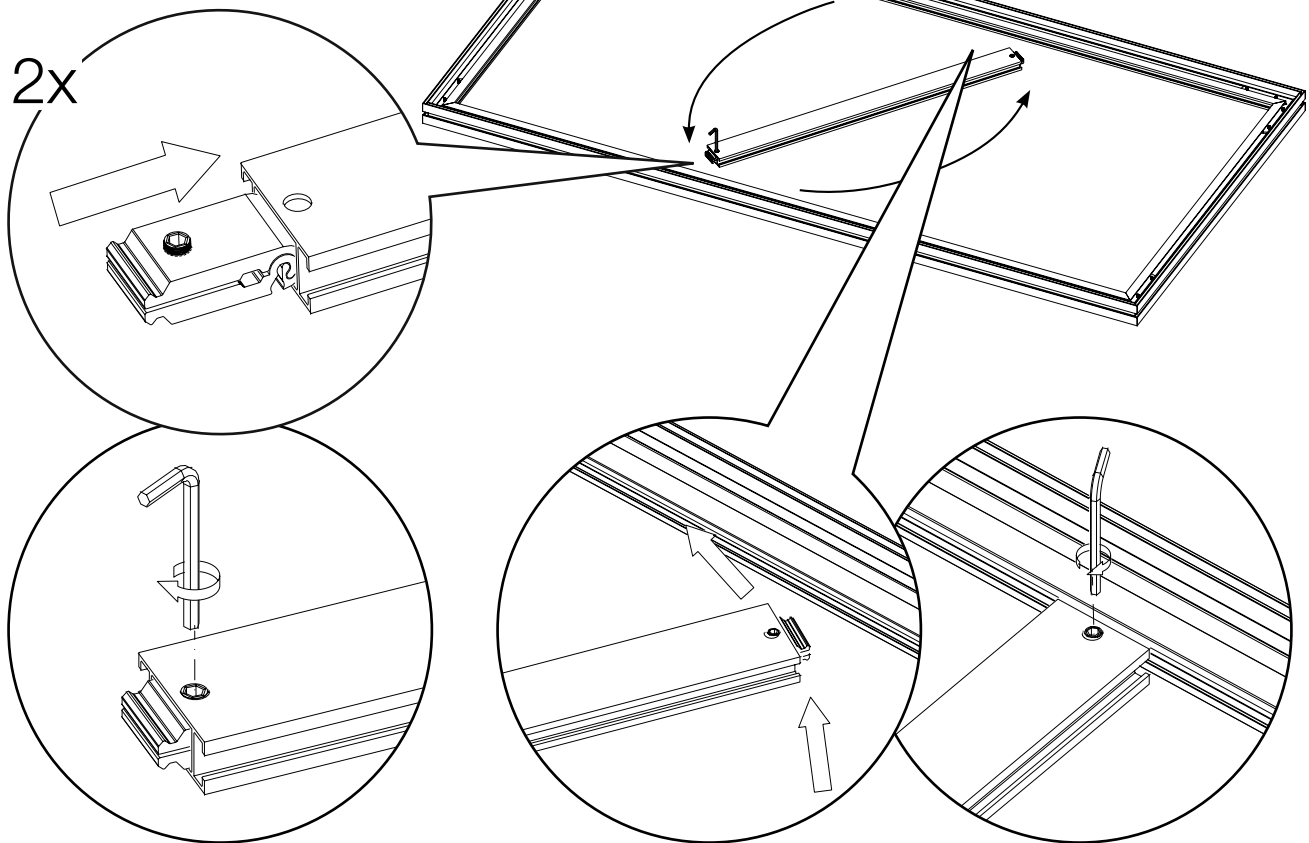
3

In case of extension plugs

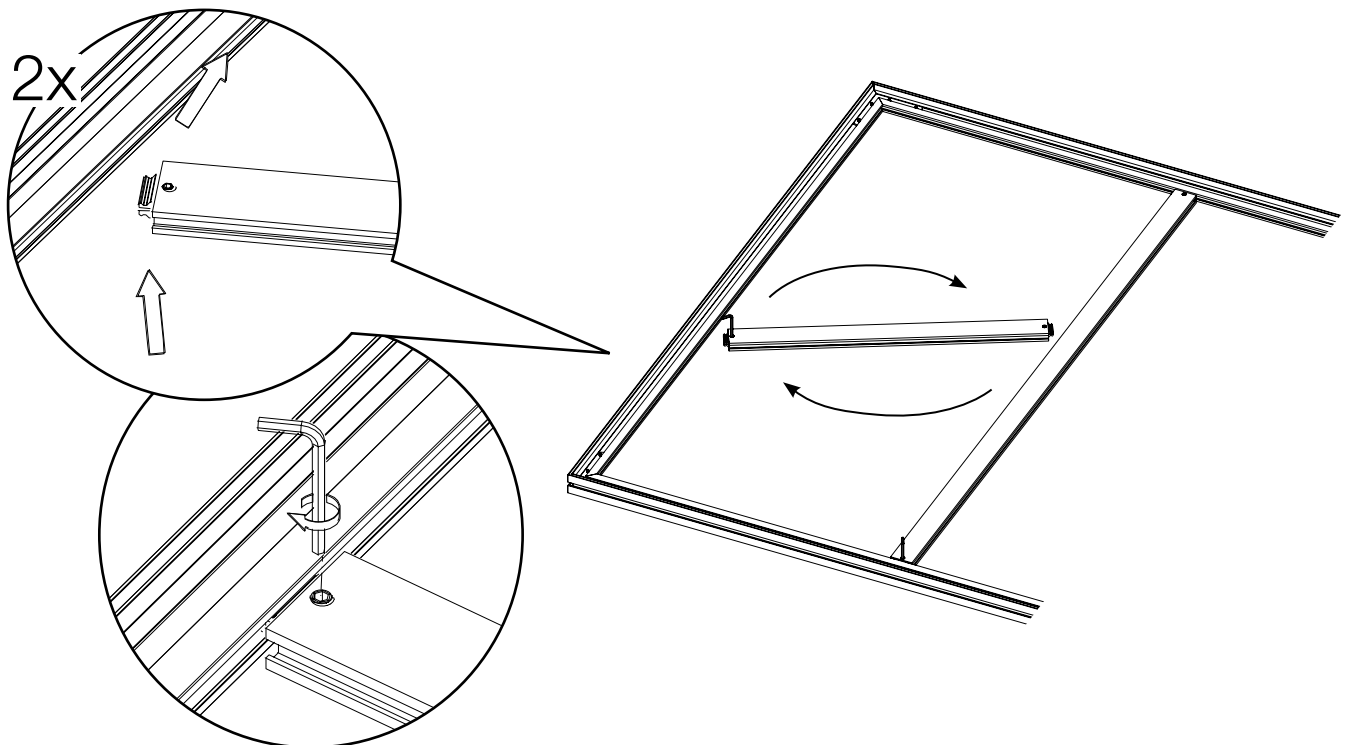


4 In case of stabilizers

4.1 For 1 stabilizer

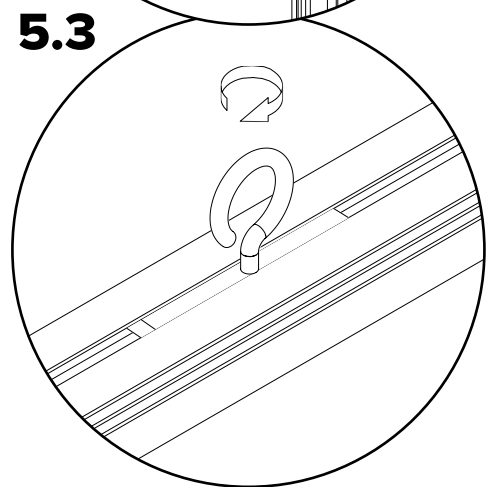
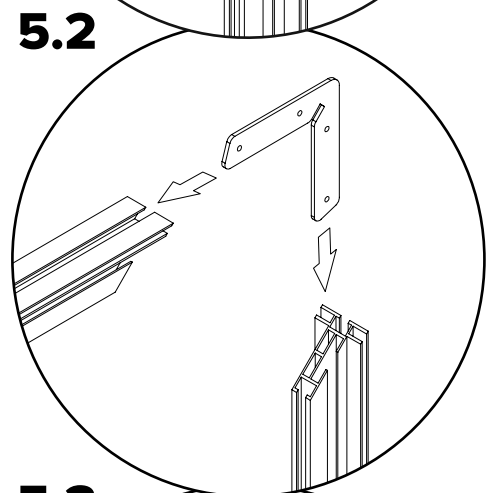
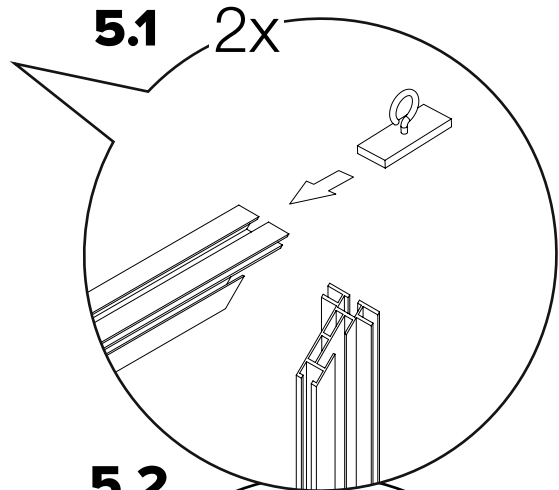
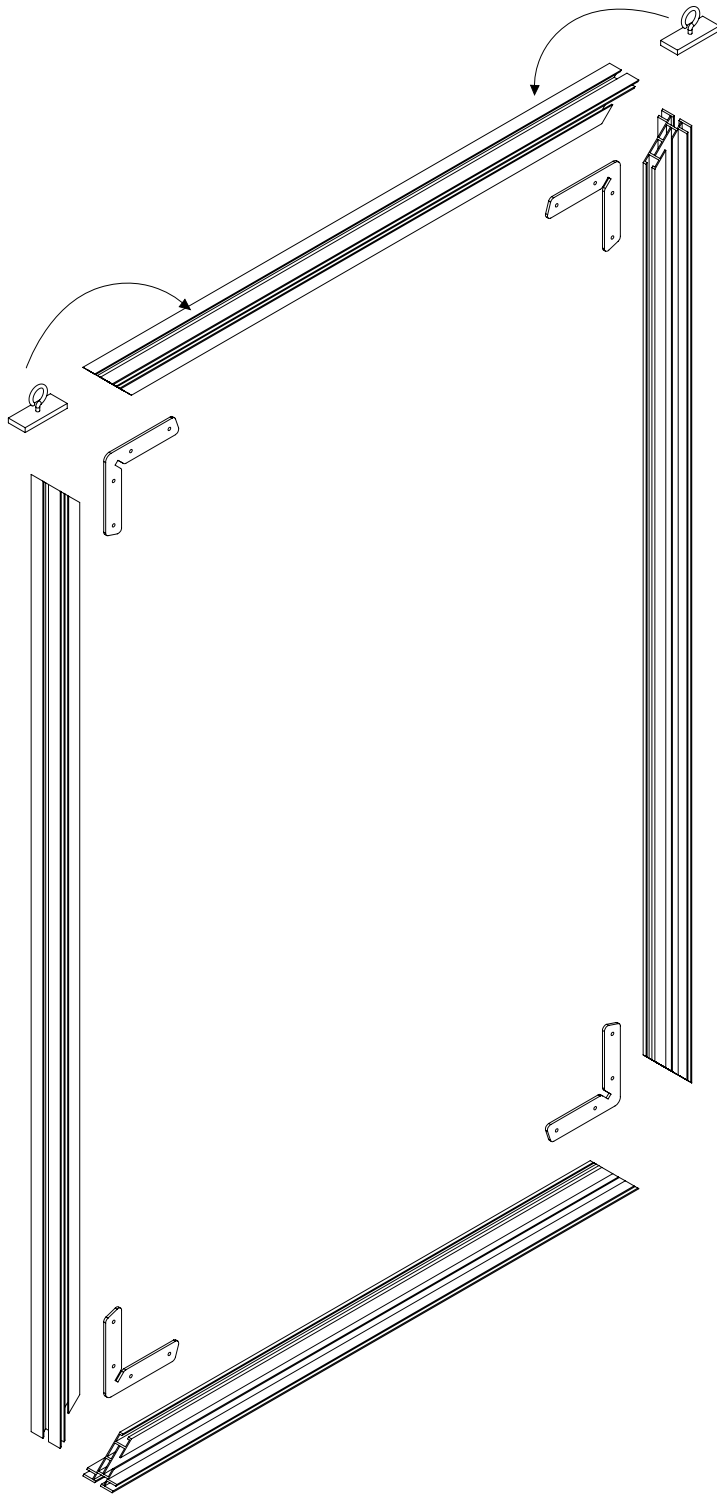


4.2 For 2 stabilizers

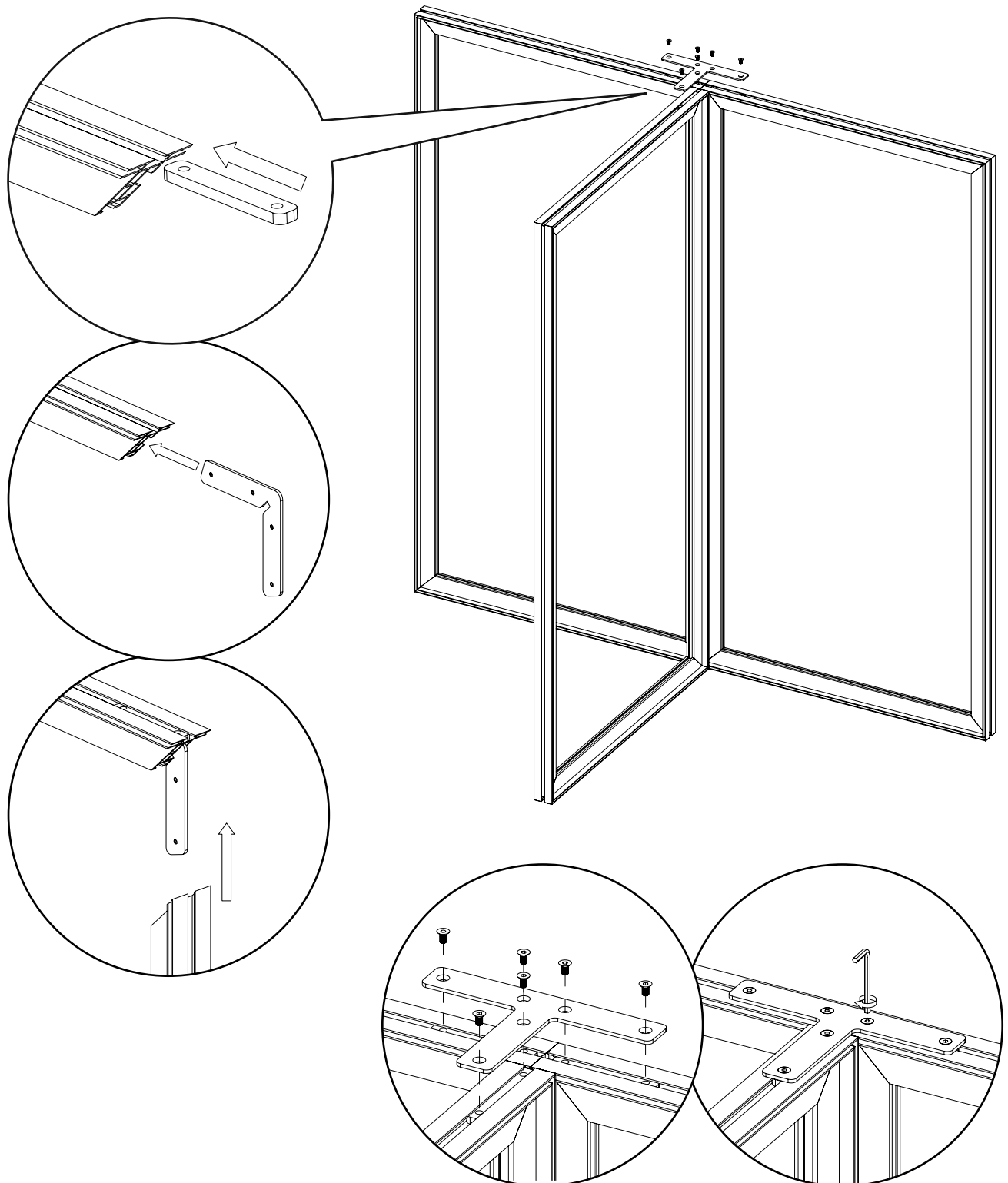


5

In case of ceiling hangers

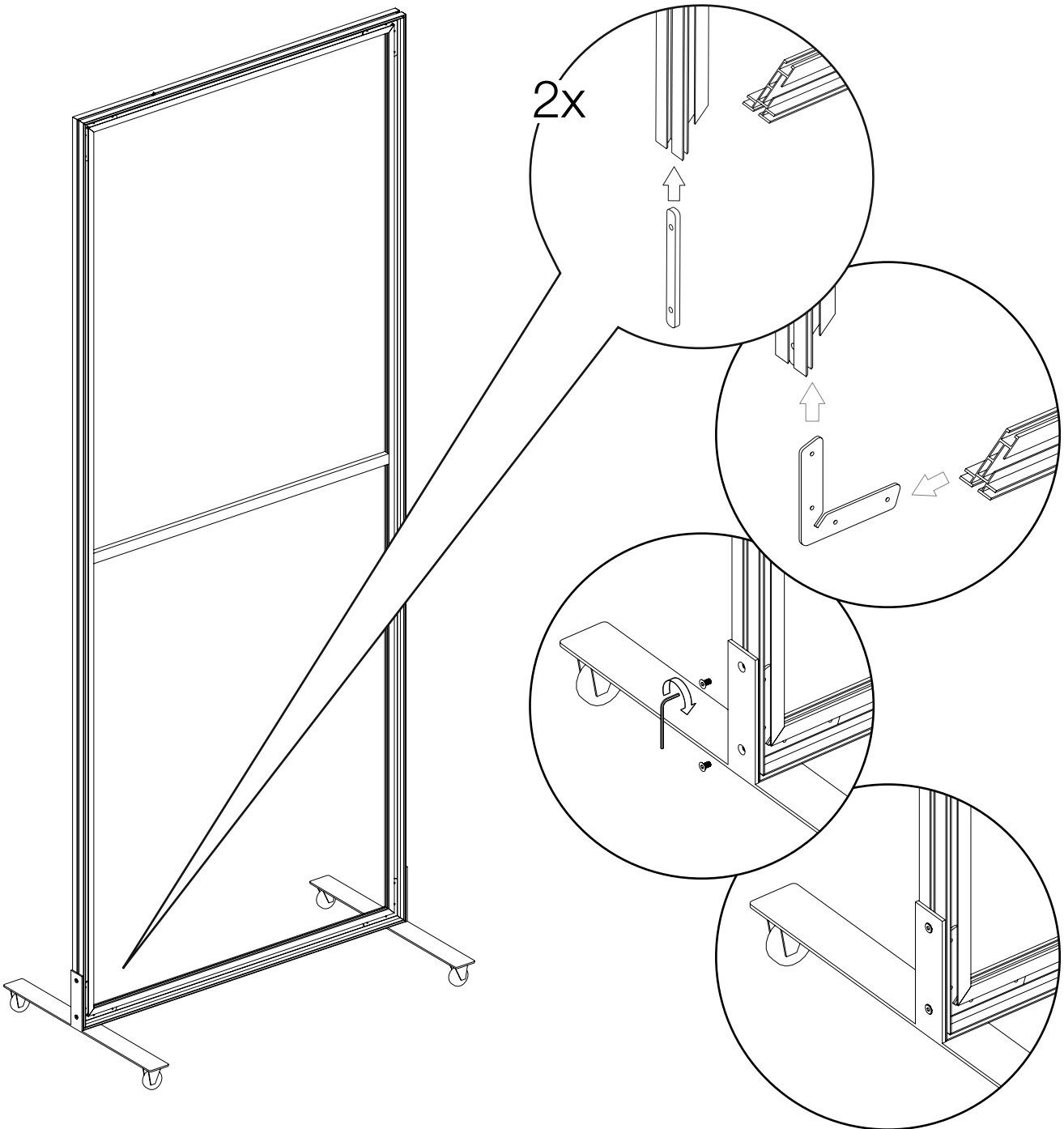
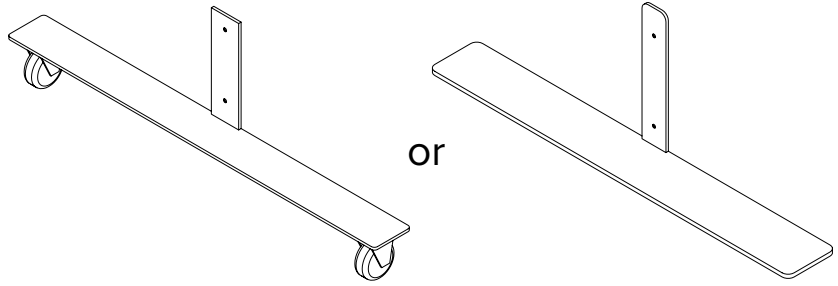


6 In case of connectors



7 In case of feet

7.1 For side mounted feet



7.2 For bottom mounted feet

