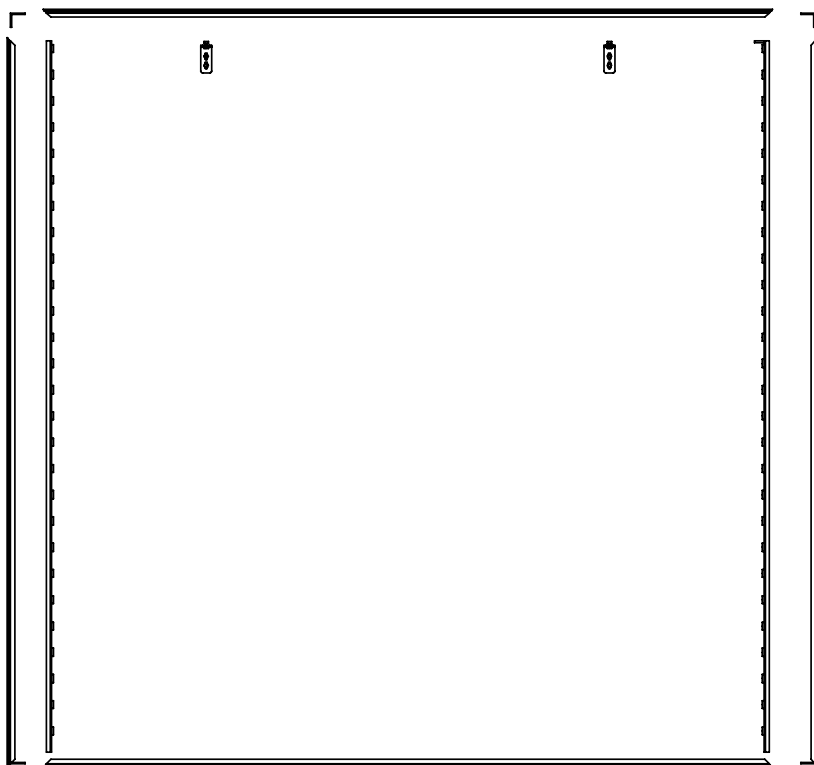


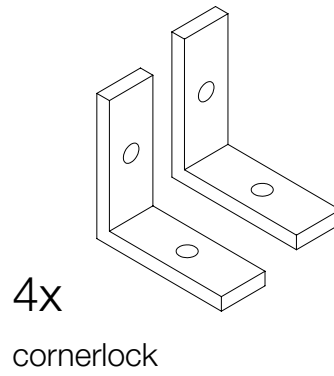
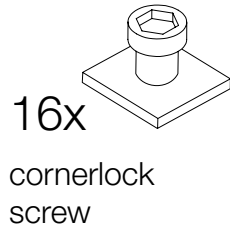
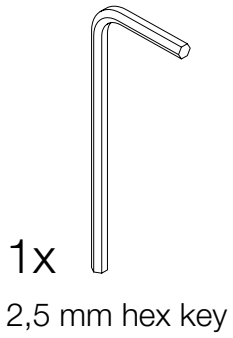
# Backlit 100

Mounting instruction

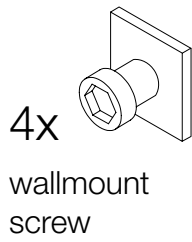
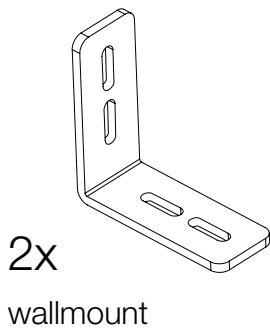


—

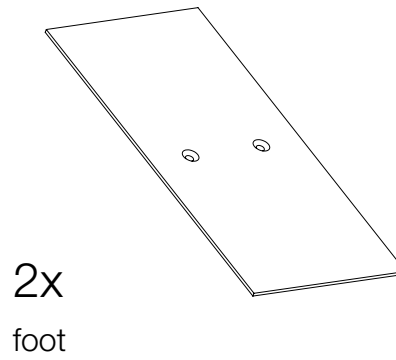
—



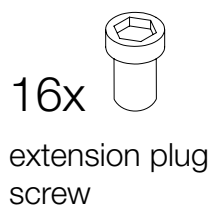
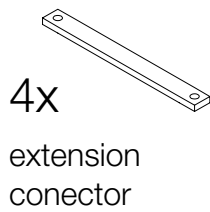
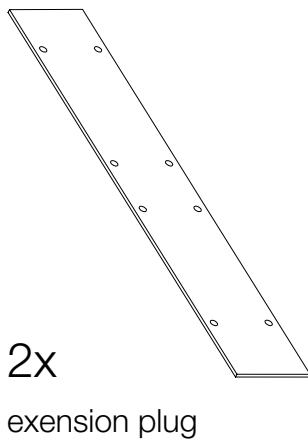
**Wall mount components  
(optional)**



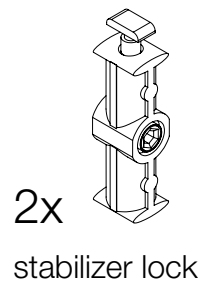
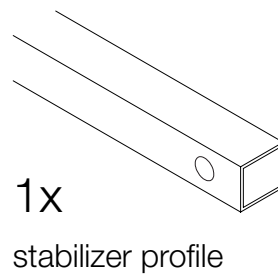
**Foot components  
(optional)**



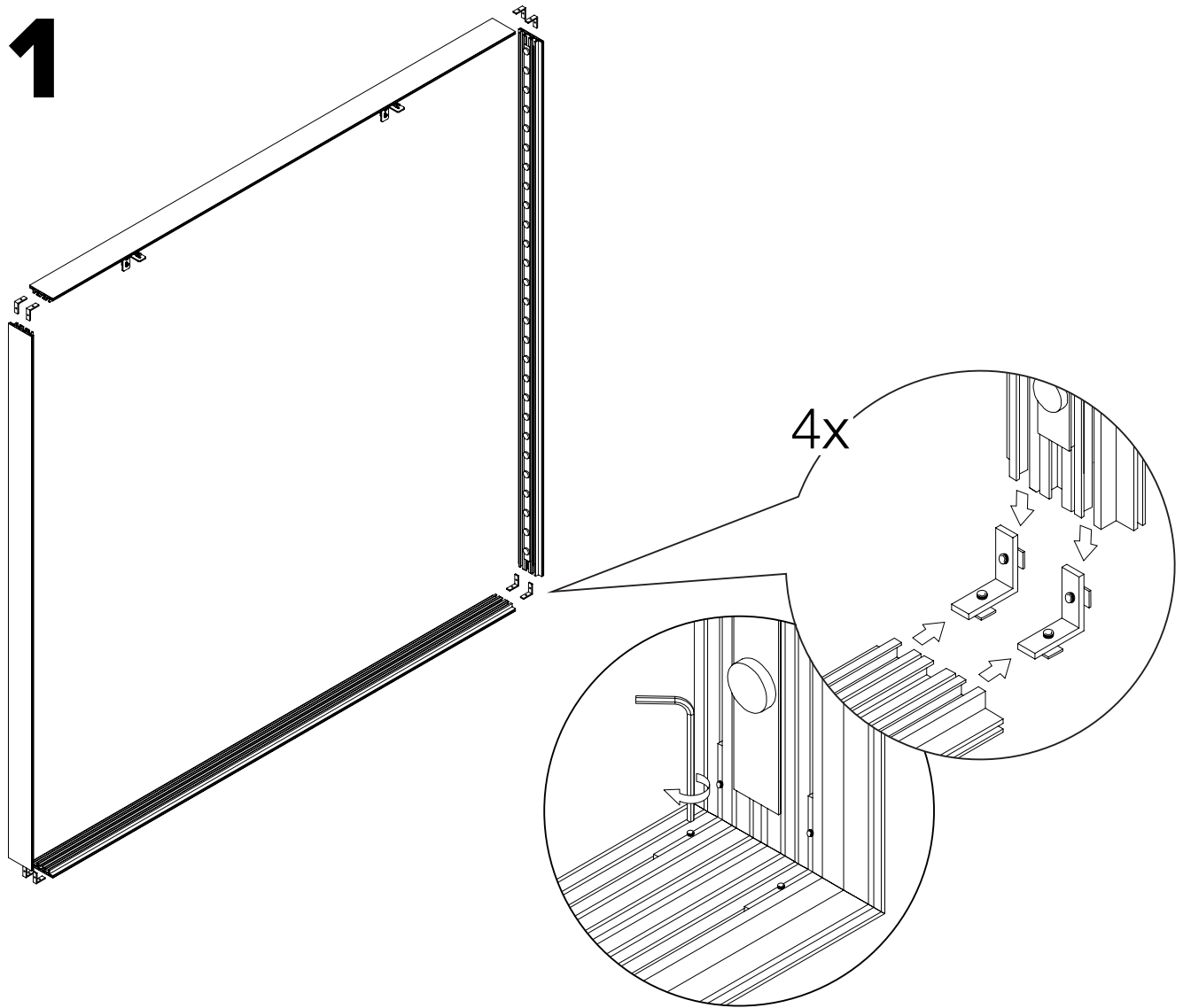
**Extension components  
(optional)**



**Stabilizer components  
(optional)**

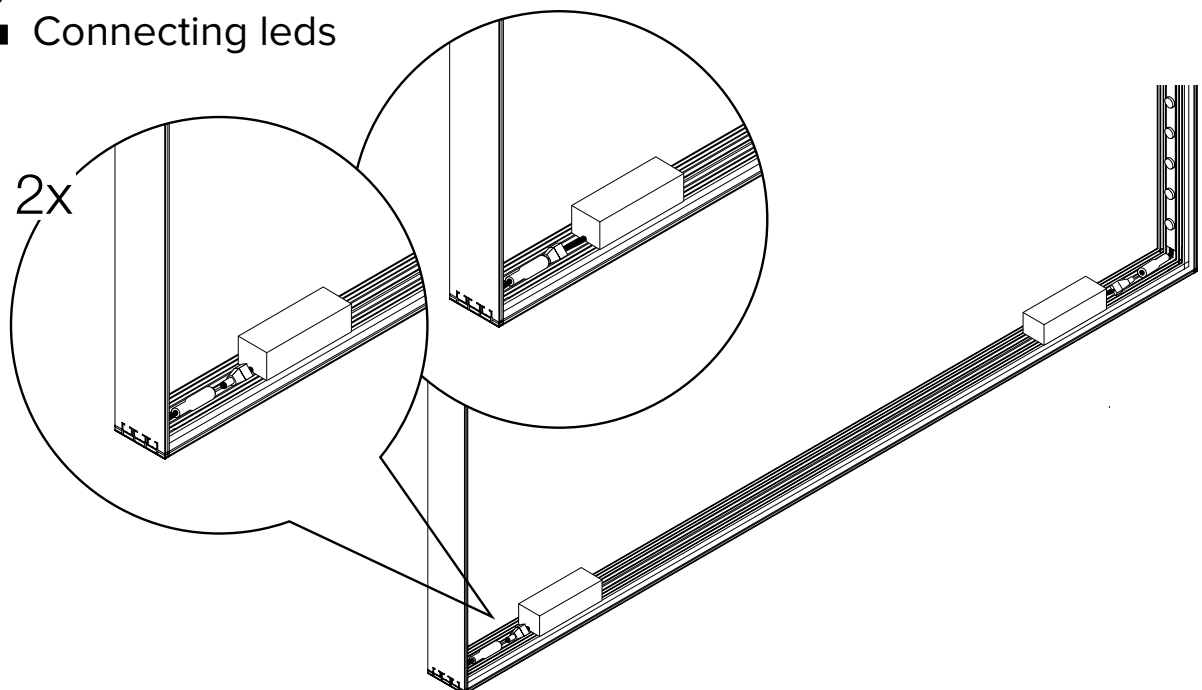


1



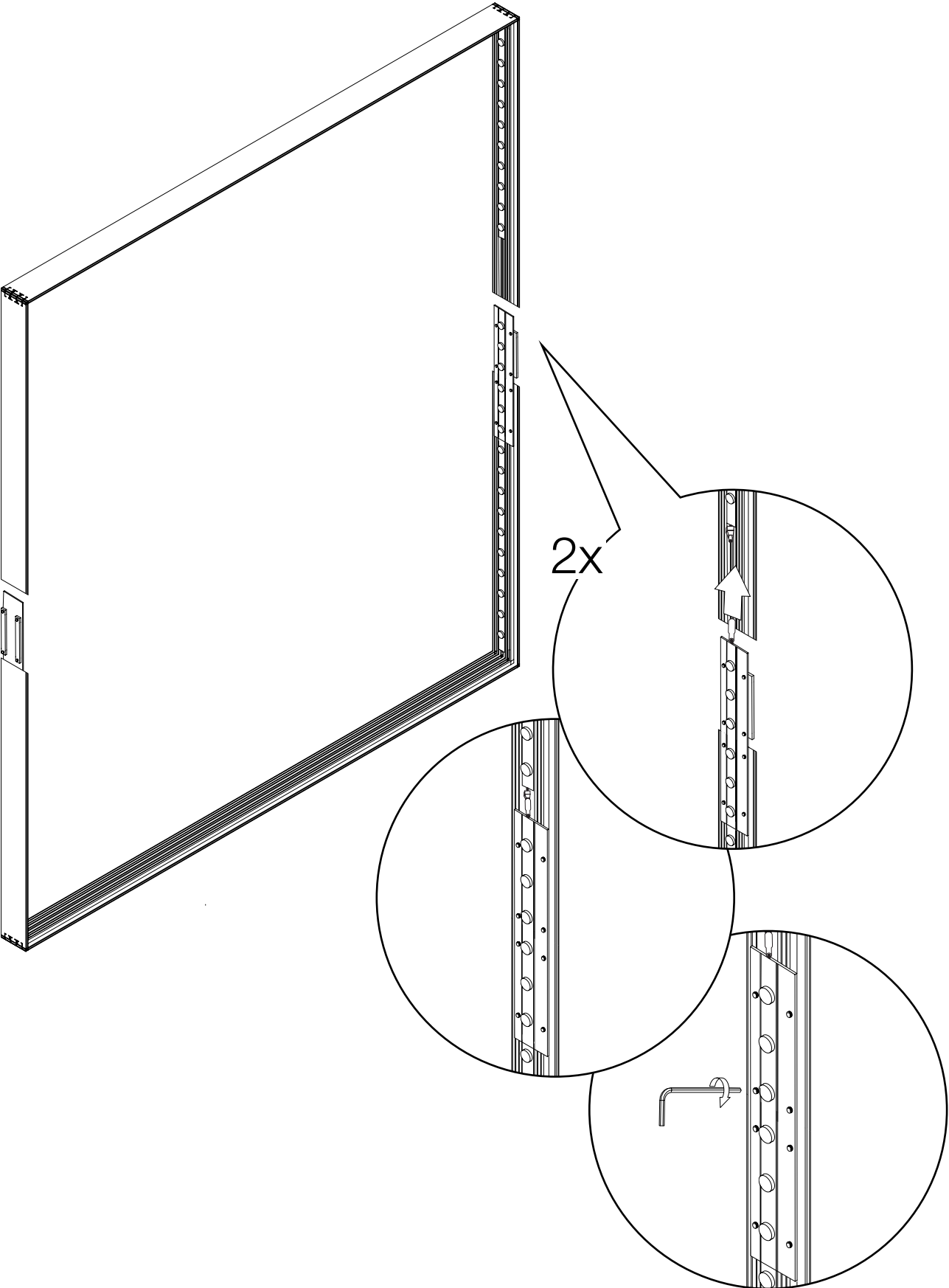
2

Connecting leds



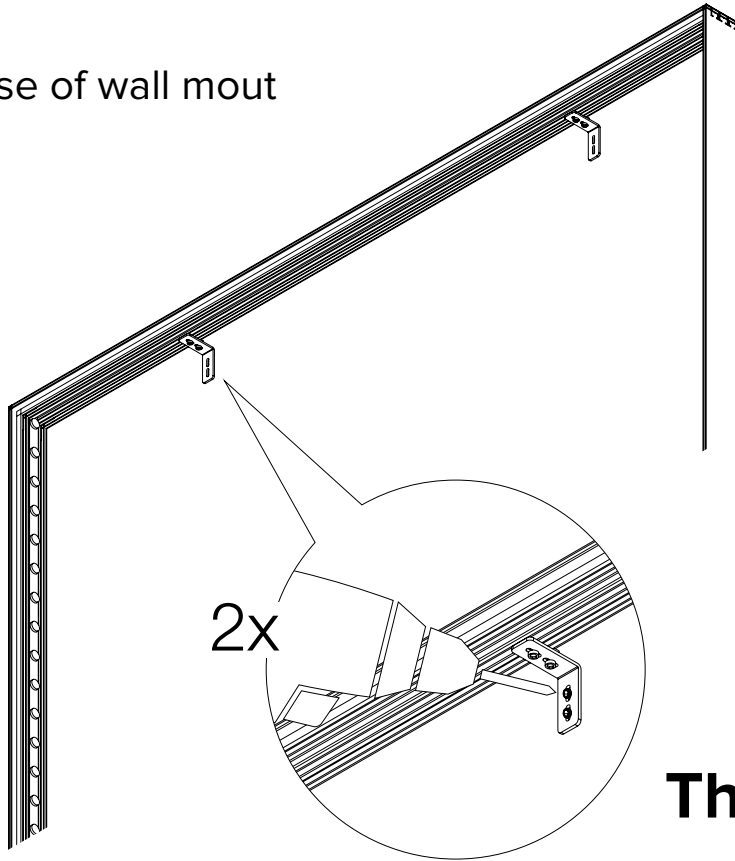
# 3



In case of extension plugs



# 4

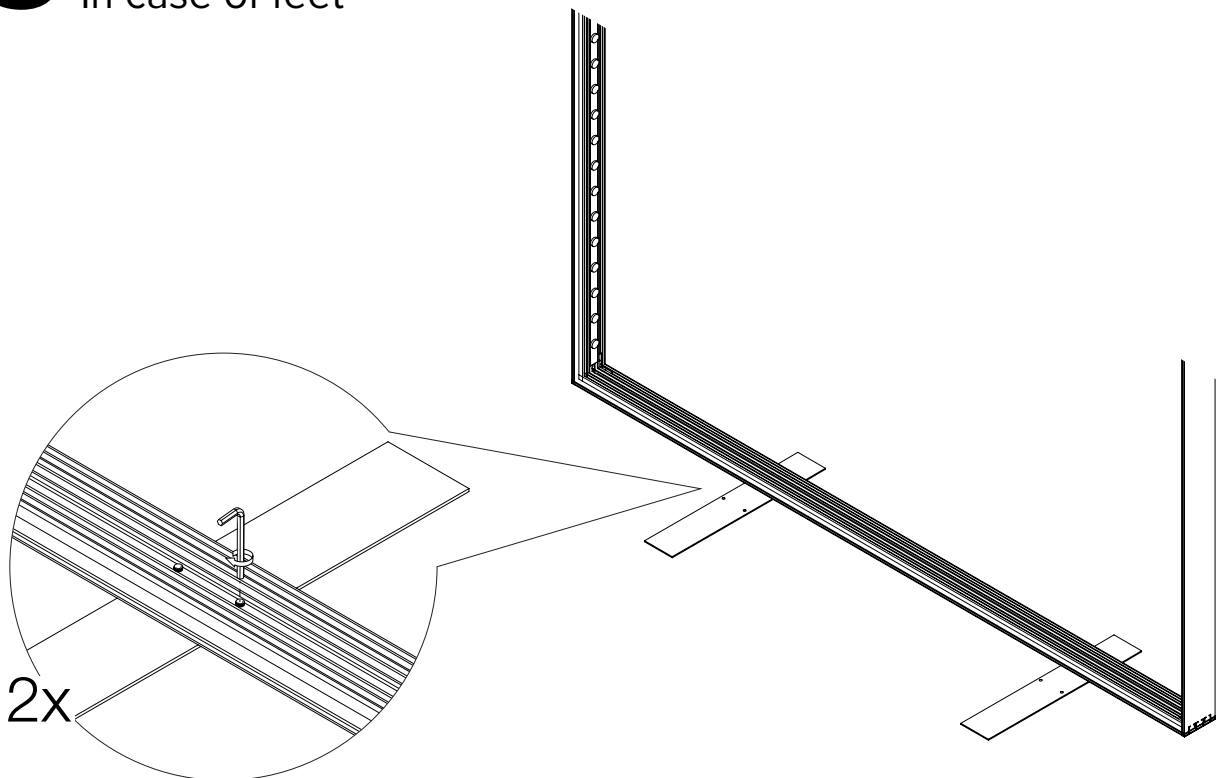
In case of wall mount



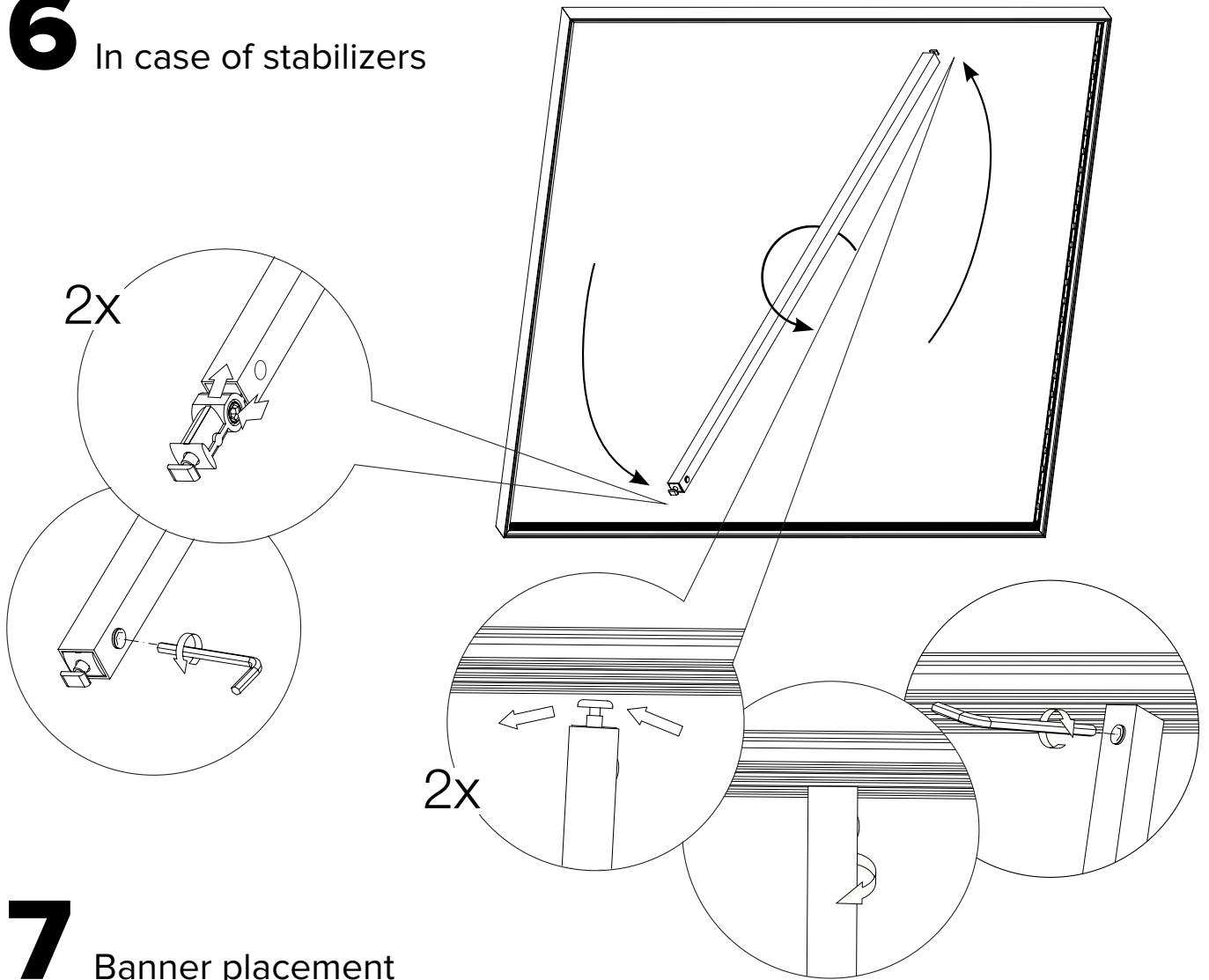
**Caution**   
**These screws**  
**are not provided** 

# 5

In case of feet



# 6 In case of stabilizers



# 7 Banner placement

