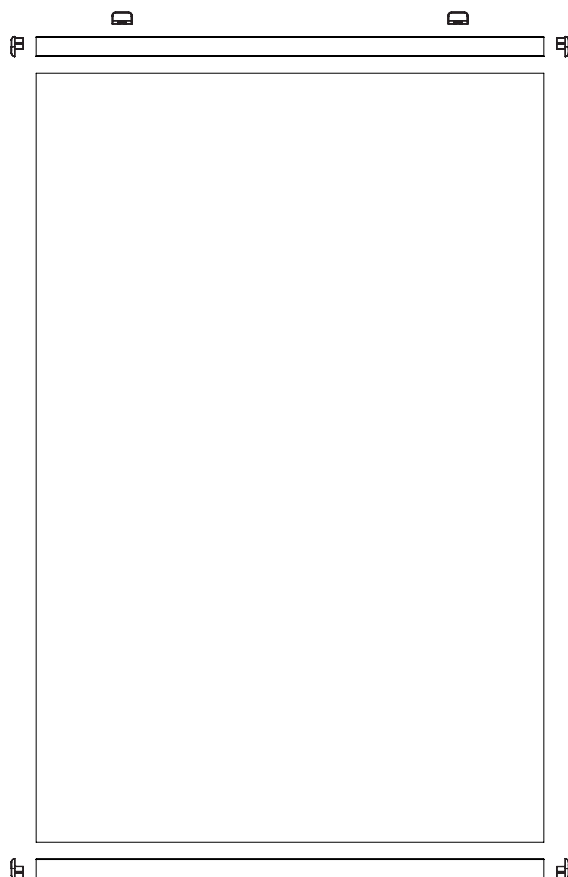
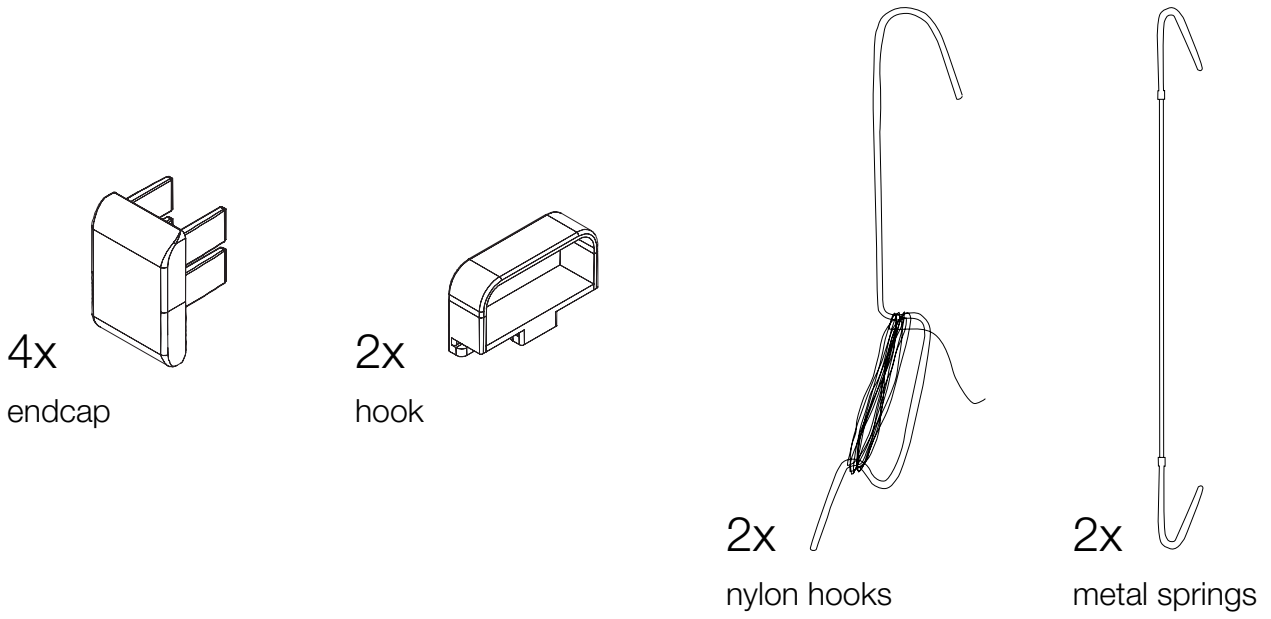


# Square Lock

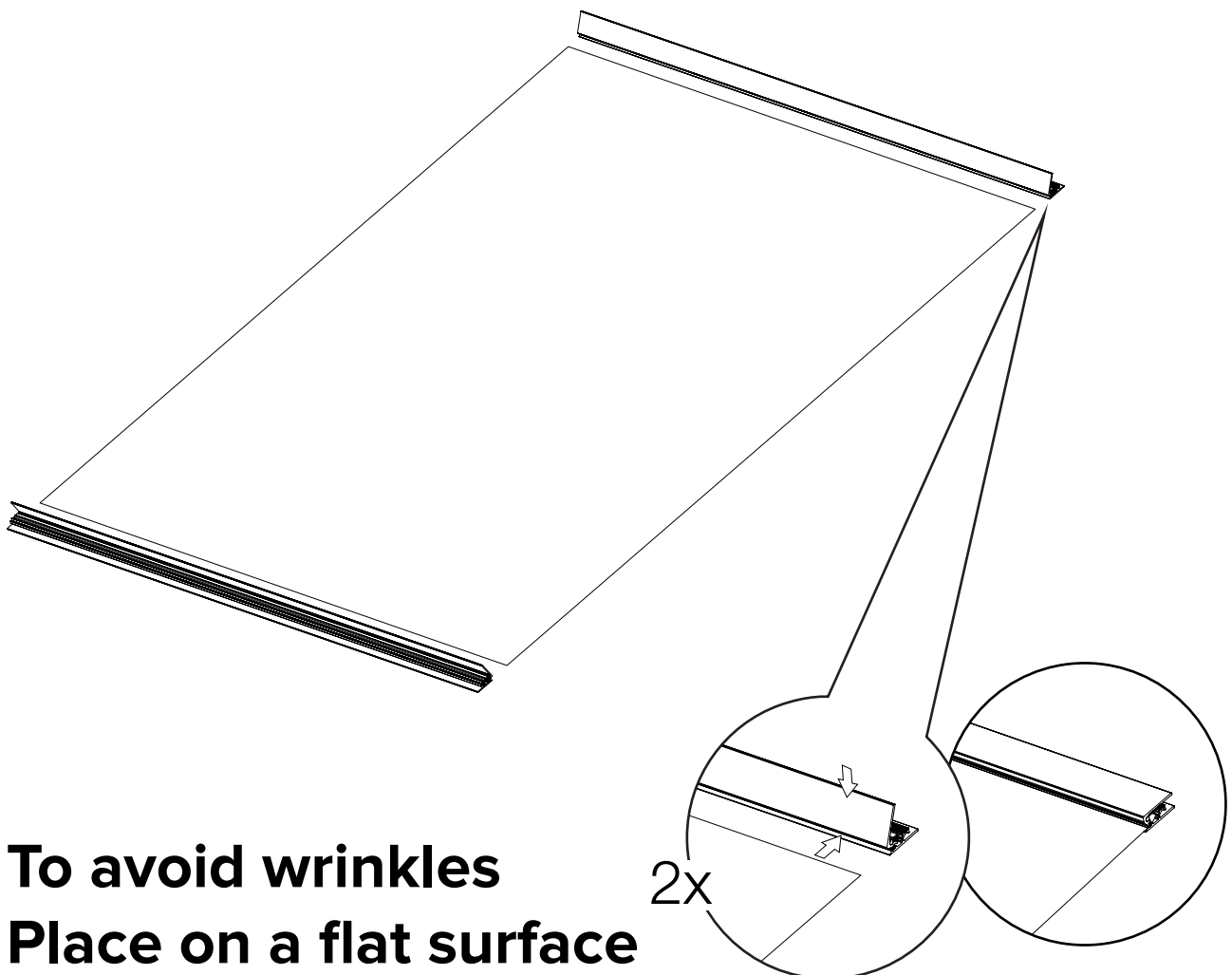
Mounting instruction



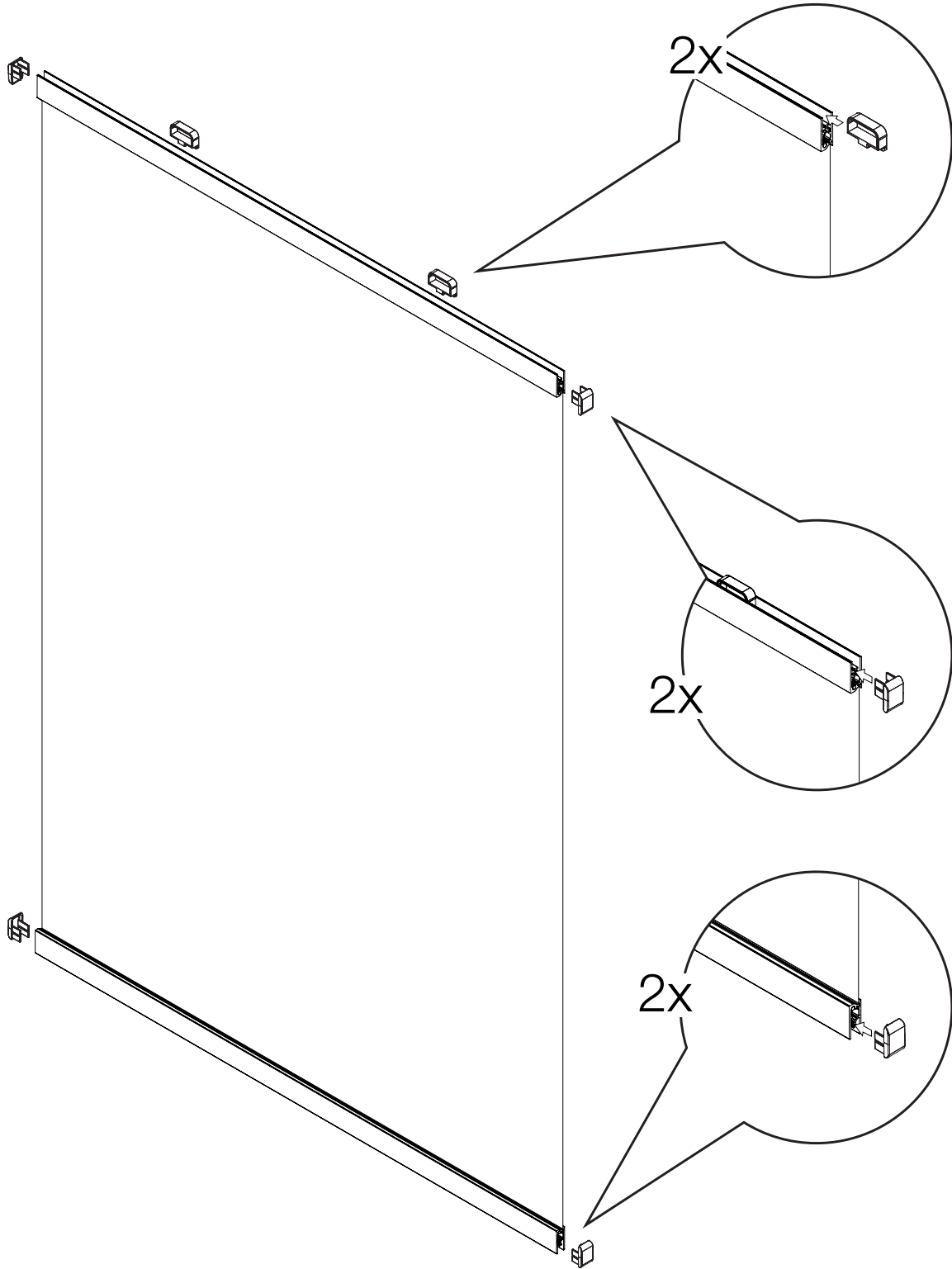


Mounting process

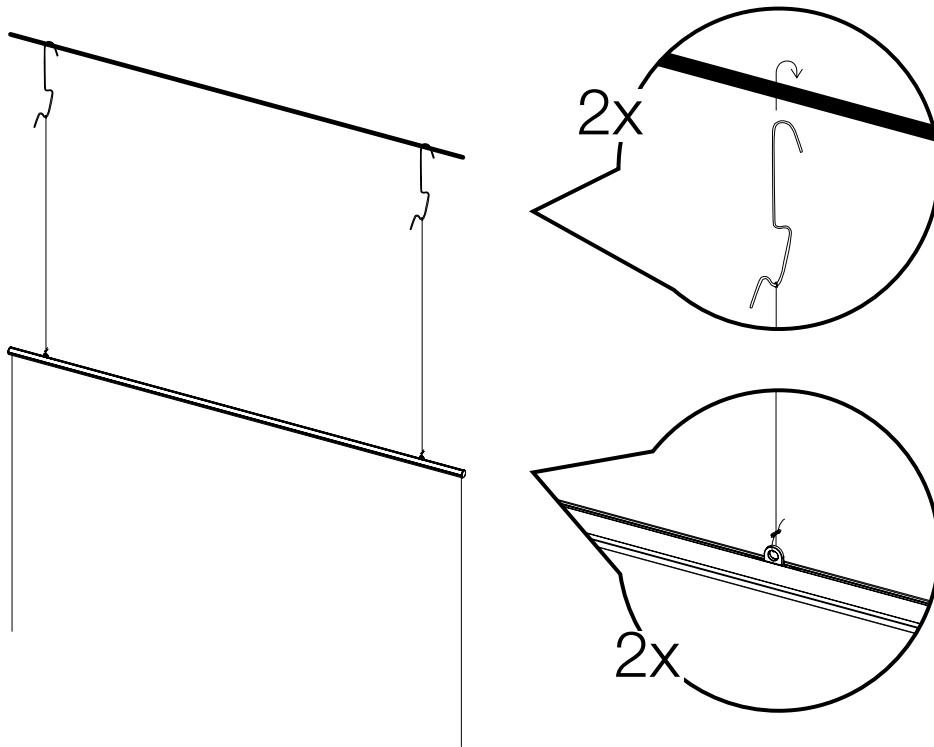
**1** Banner placement



# 2



### 3 In case of nylon hooks



### 4 In case of metal springs

