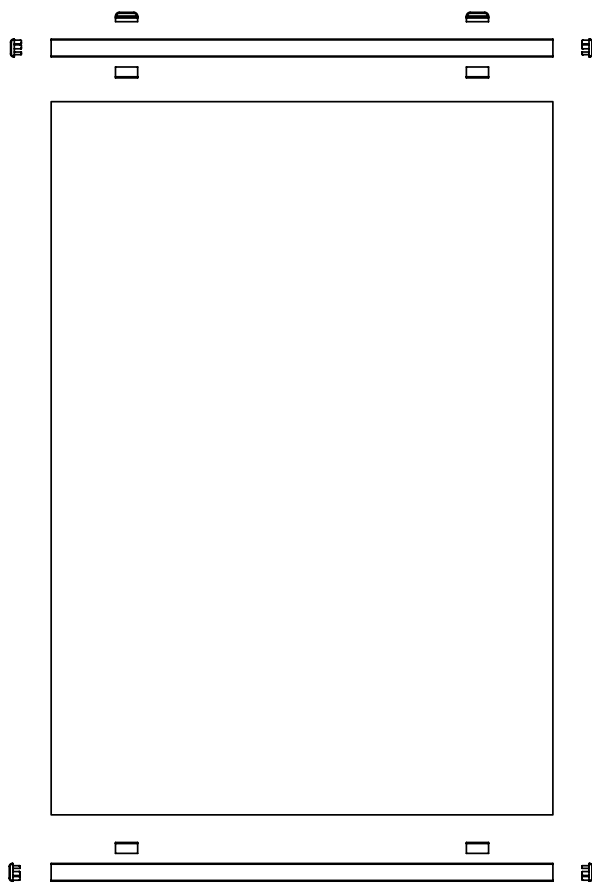
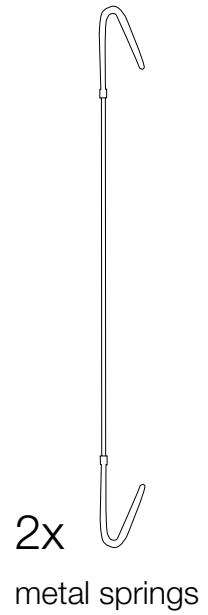
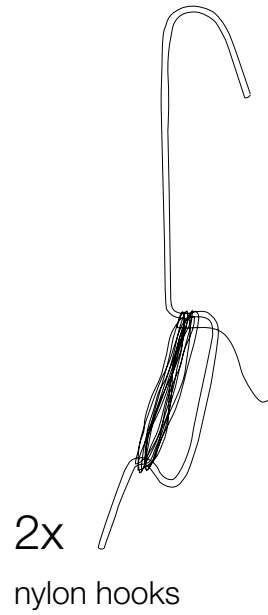
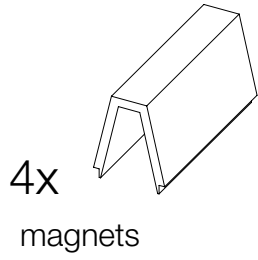
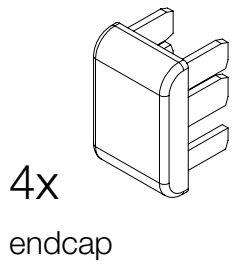


Square Magnetic

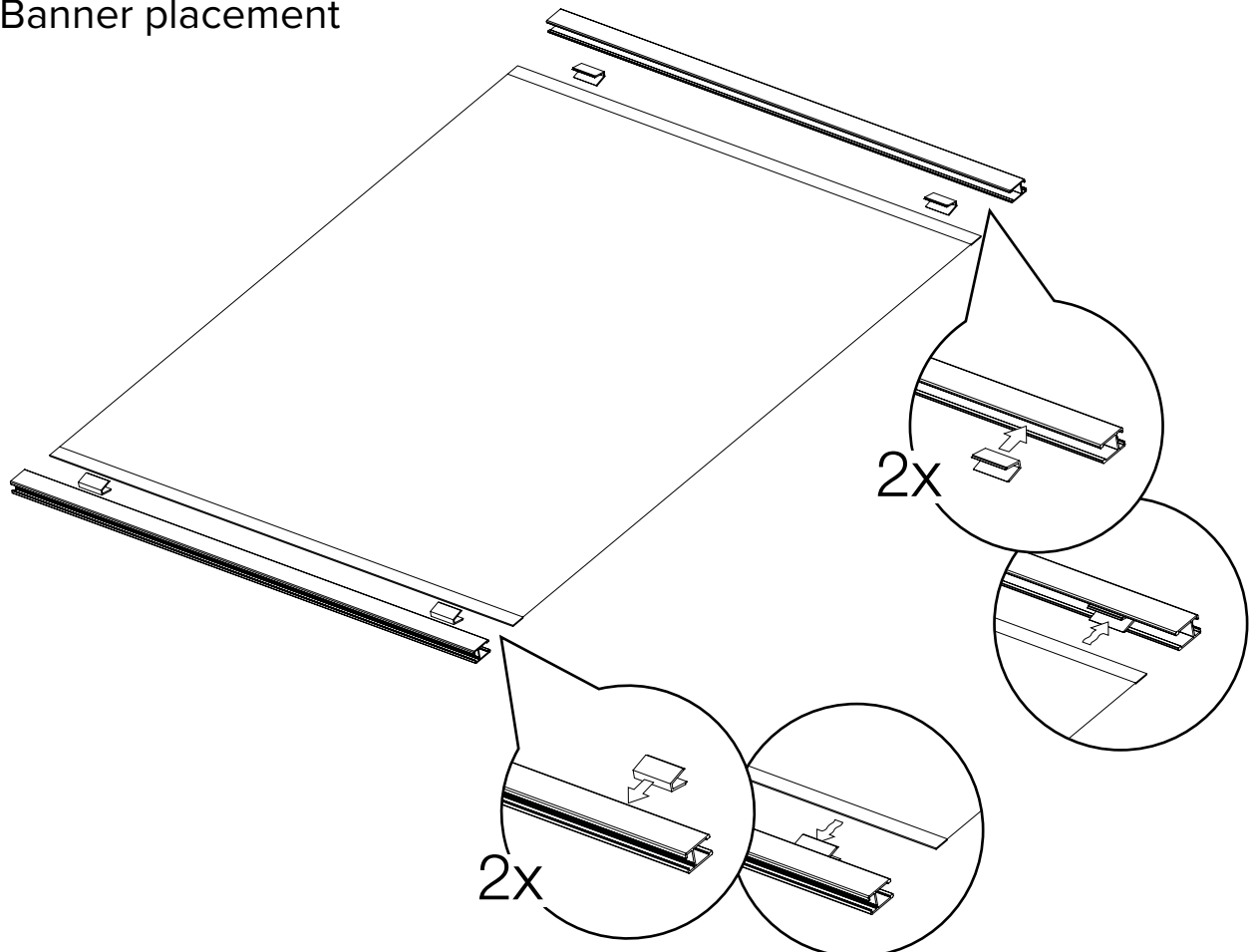
Mounting instruction



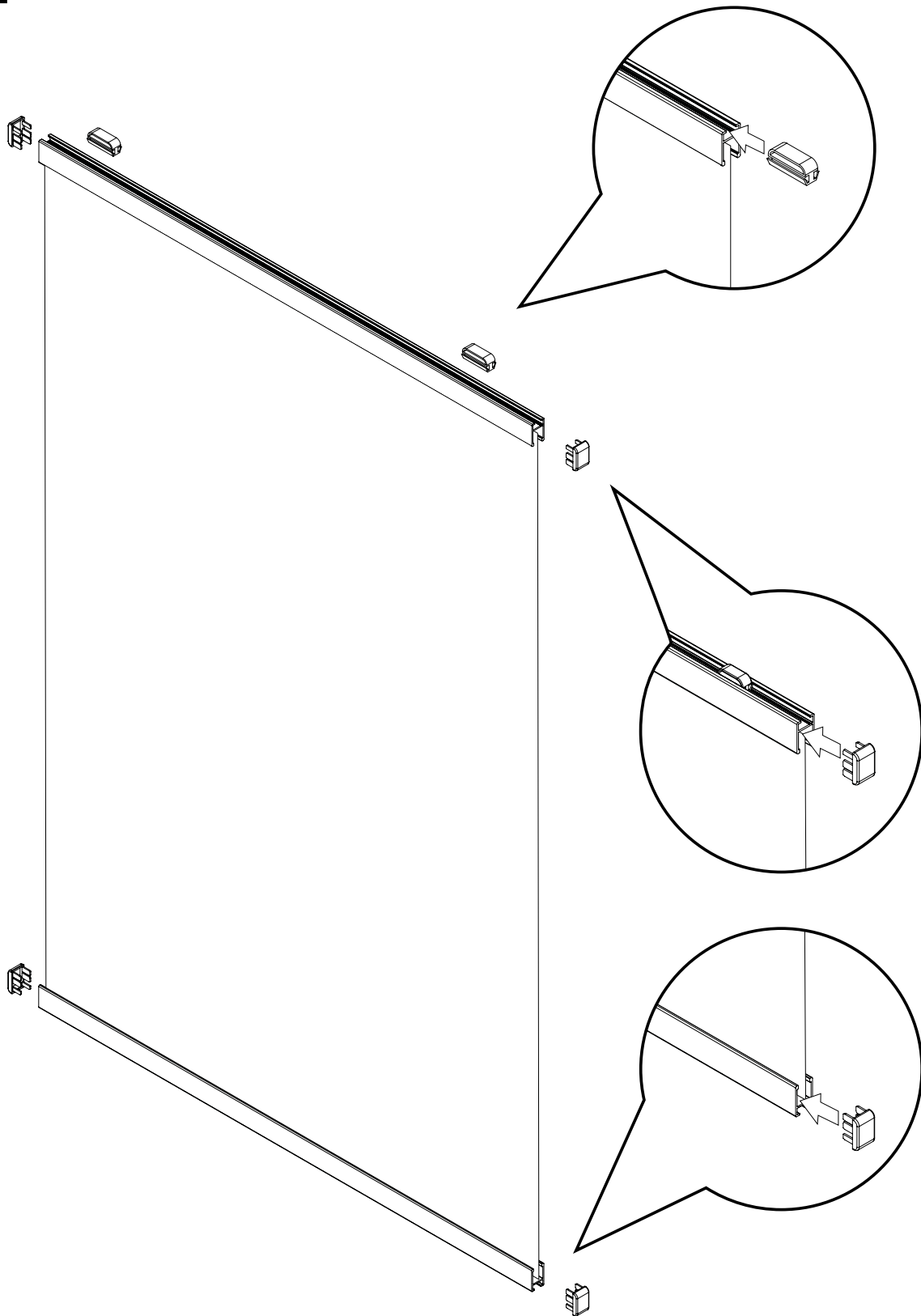


Mounting process

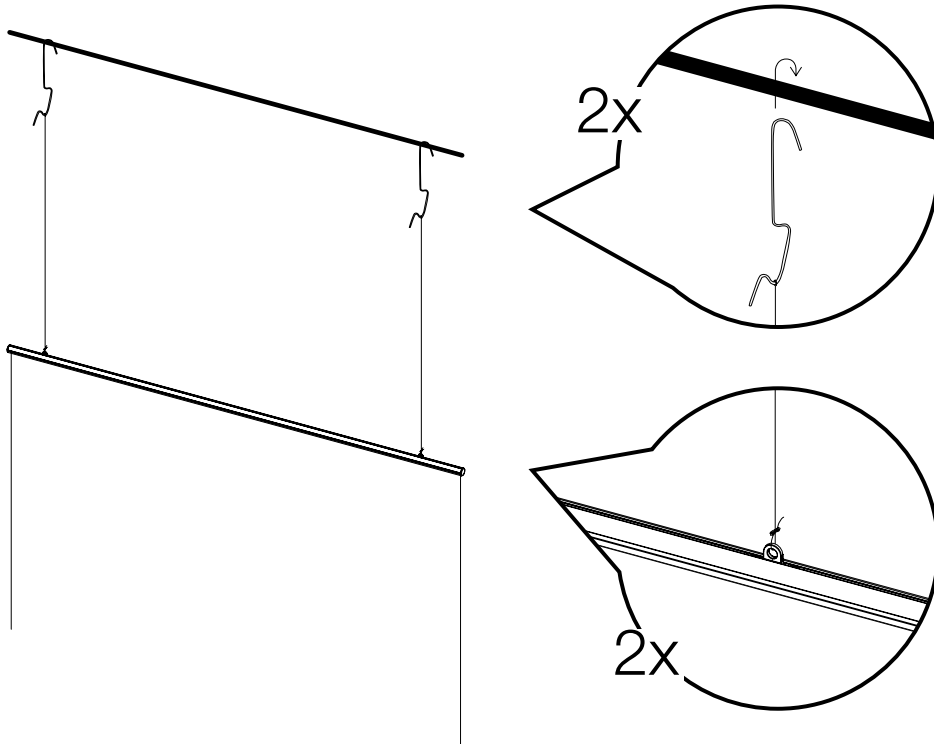
1 Banner placement



2



3 In case of nylon hooks



4 In case of metal springs

