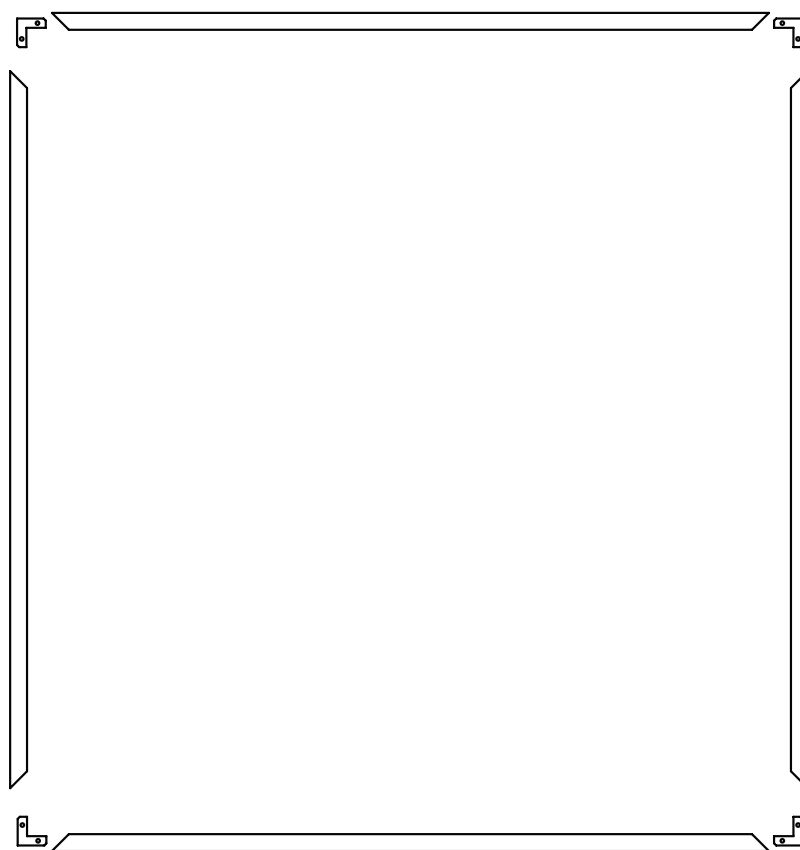
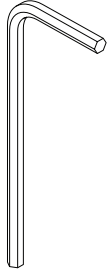


Light 20

Mounting instruction



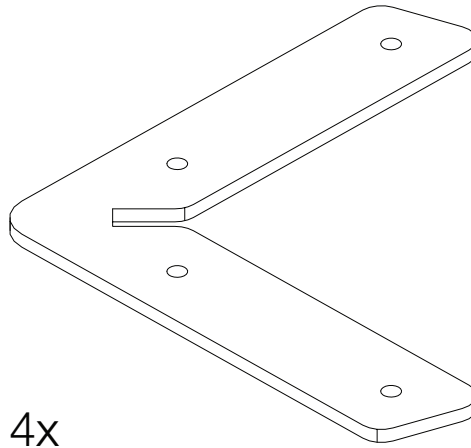
1x
2,5 mm hex key



16x
cornerlock
screw

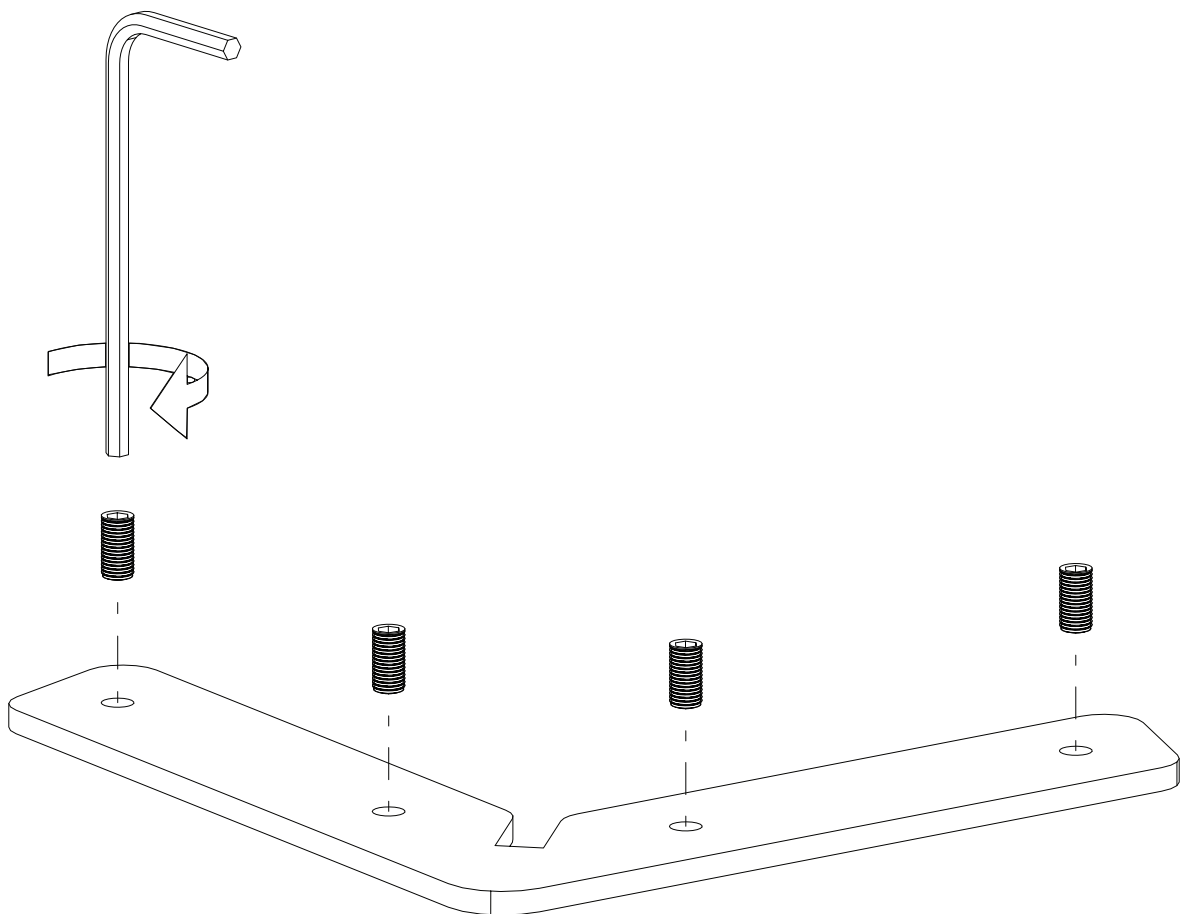


4x
cornerlock

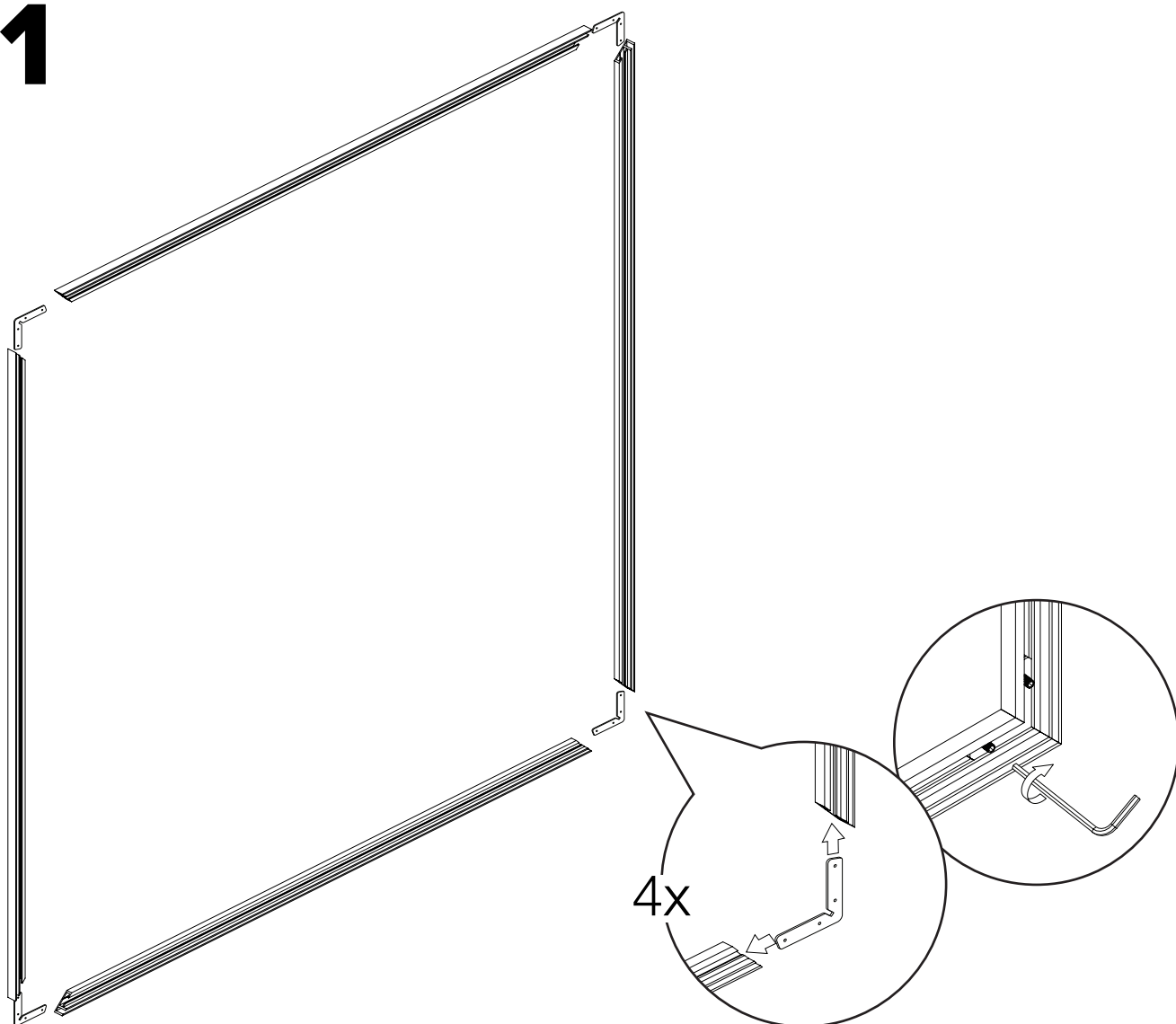


Mounting process

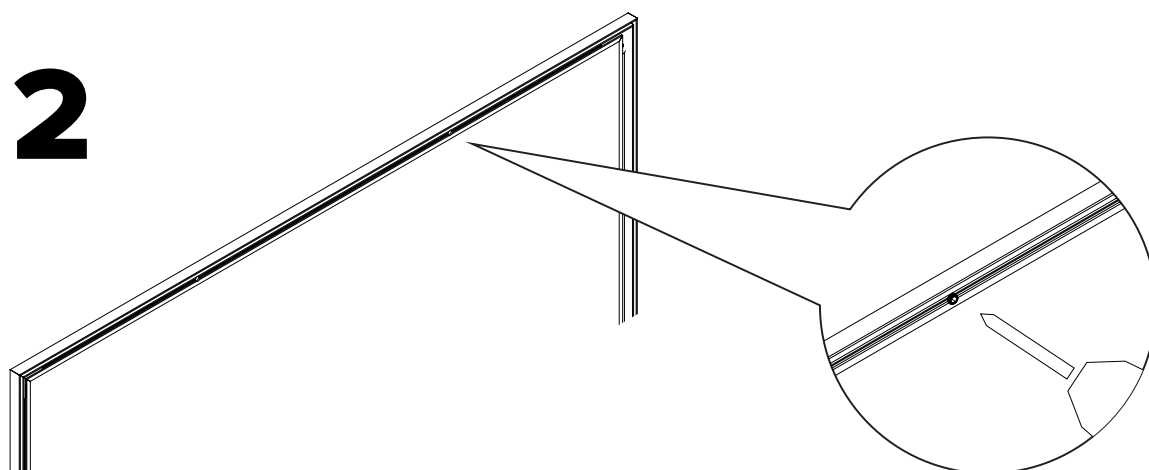
1



1



2



! **Caution**
● **These screws**
are not provided

3 Banner placement

