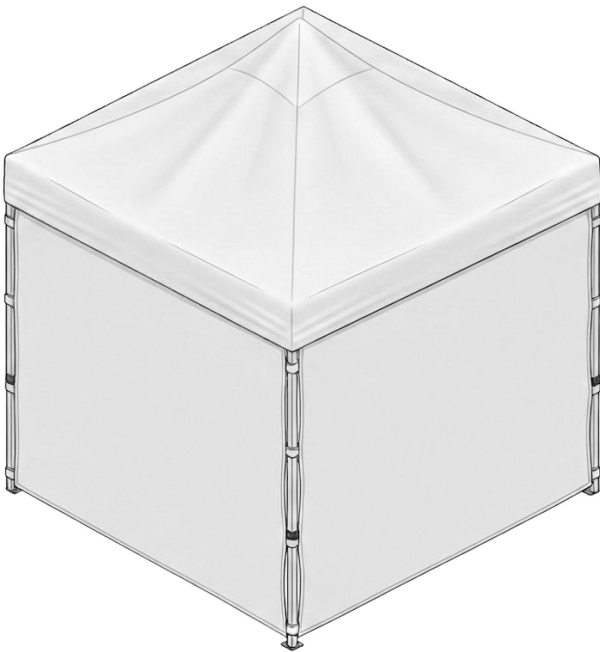
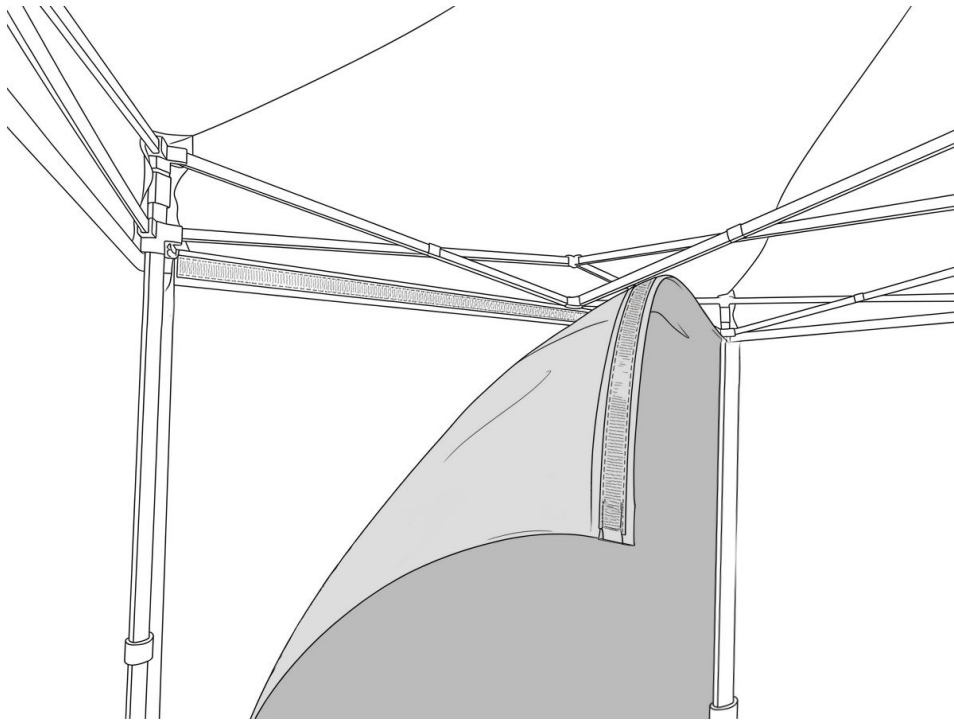


# Full / Door / Triangle Wall

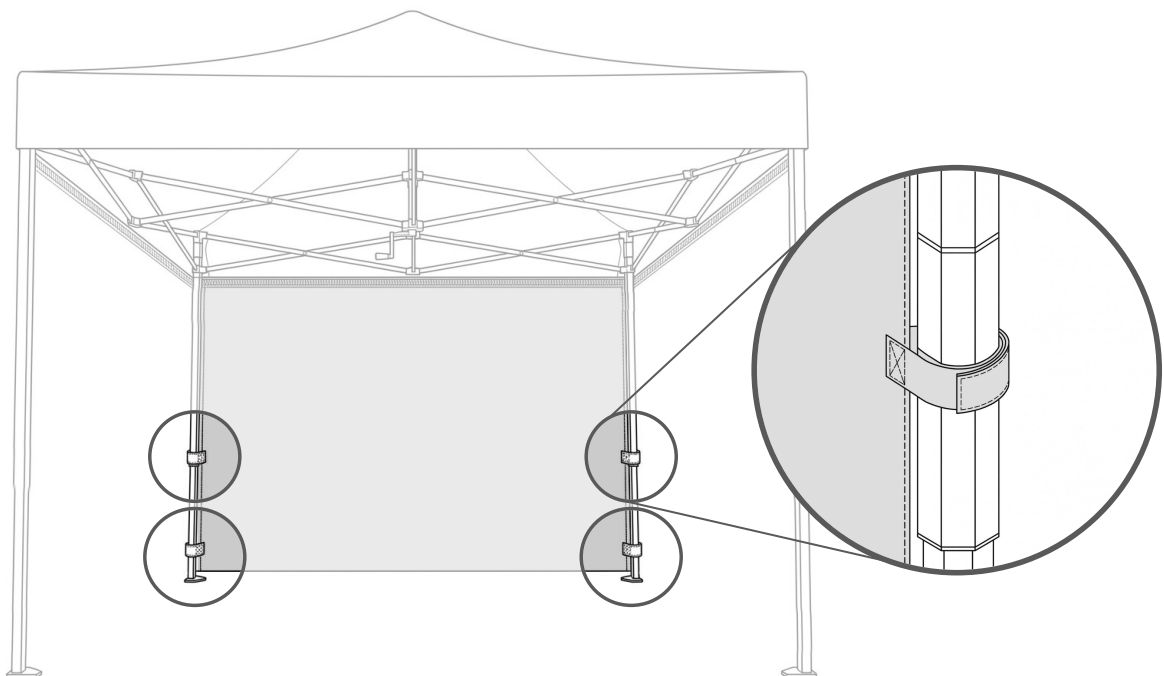
Mounting Instruction



- 1** Attach the wall's Velcro strip to the inside of the roof canopy. Align from corner to corner for a straight fit.



- 2** Wrap the side Velcro straps tightly around the aluminum tent legs to anchor the wall.  
Fasten the remaining straps along the legs.  
Pull the fabric down for a smooth, professional look.

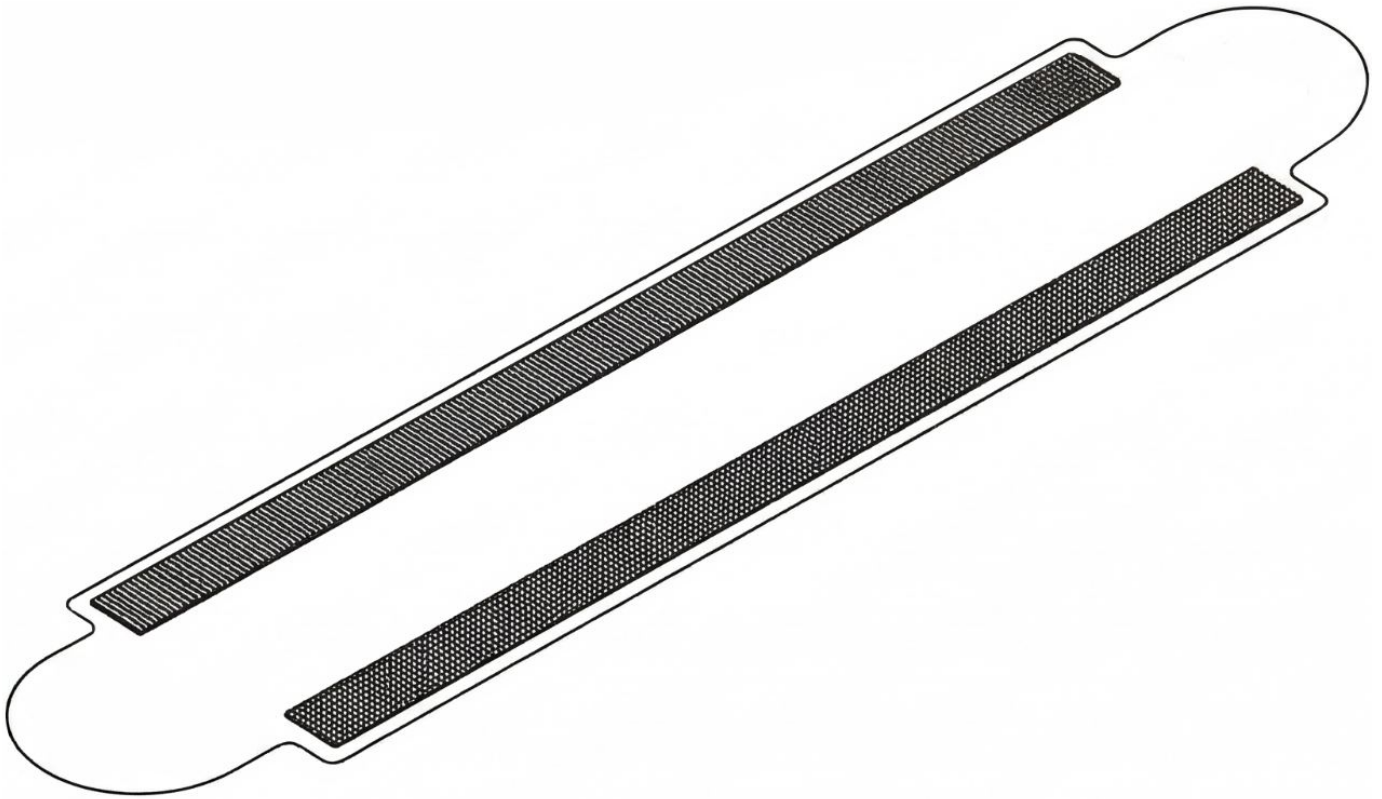


**3** Note that this installation process is identical for the Door Wall and the Triangle Corner Curtains.



# Connecting Rain Gutter

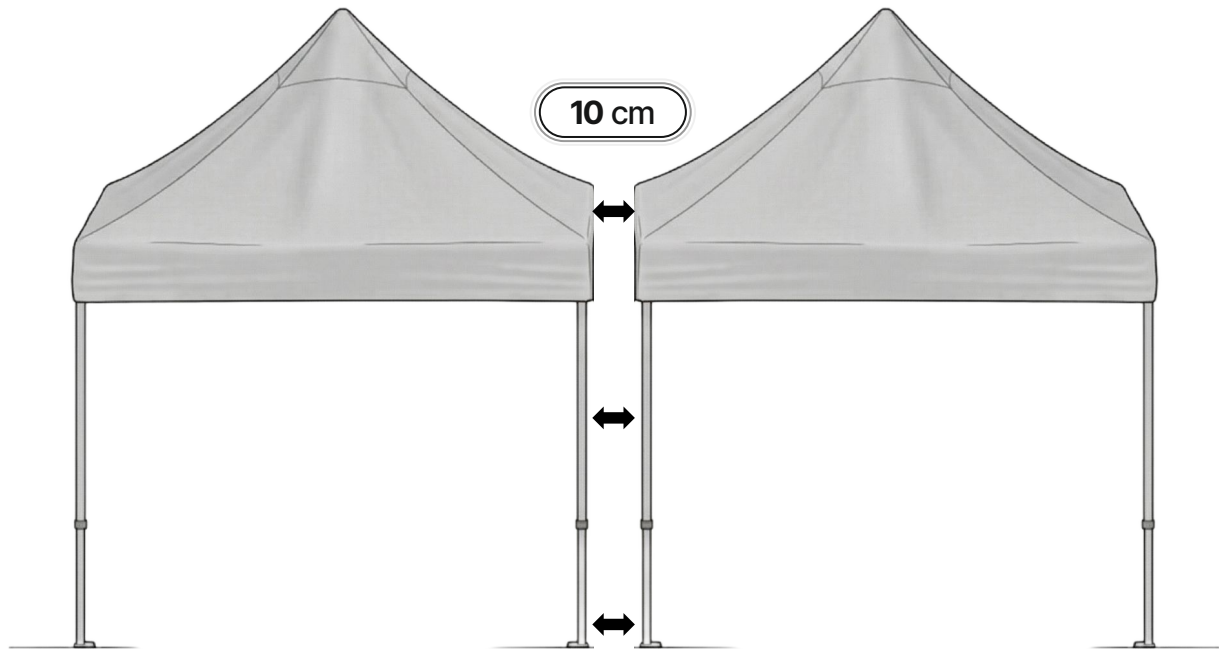
Mounting Instruction



1

**Frame Alignment**

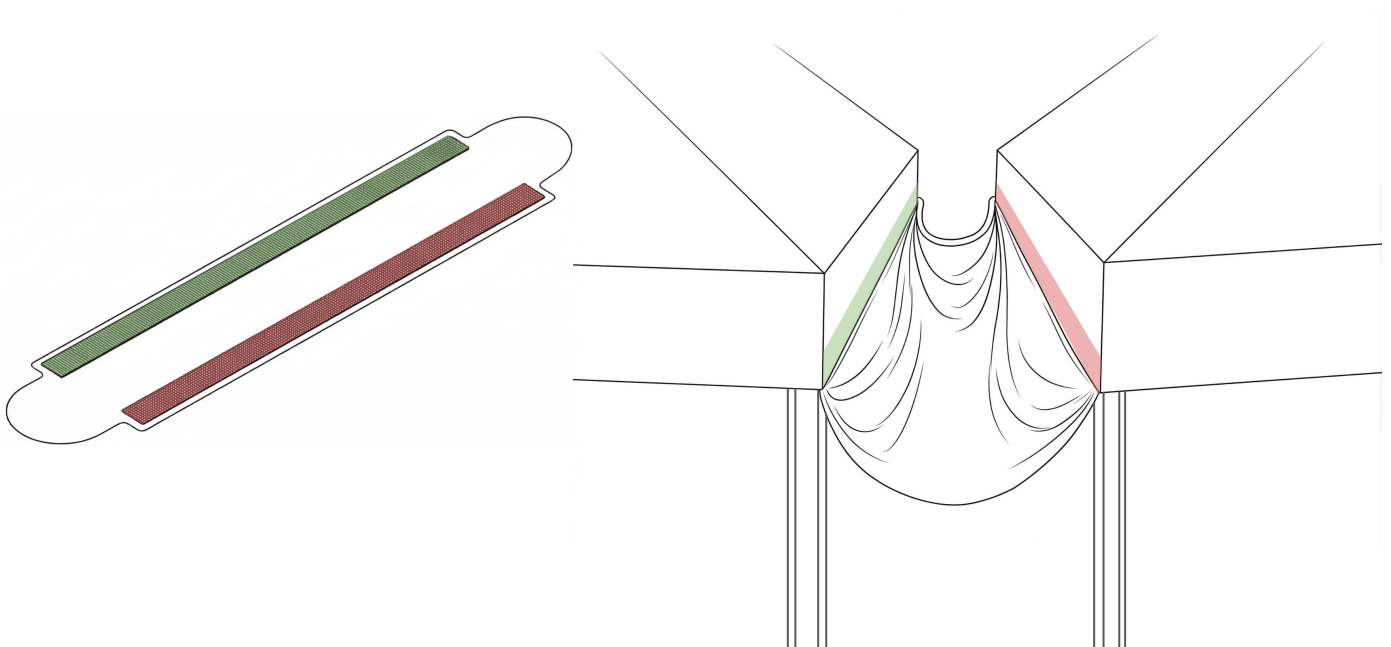
Place two tent frames side by side, leaving a gap of max 10 cm between them.



2

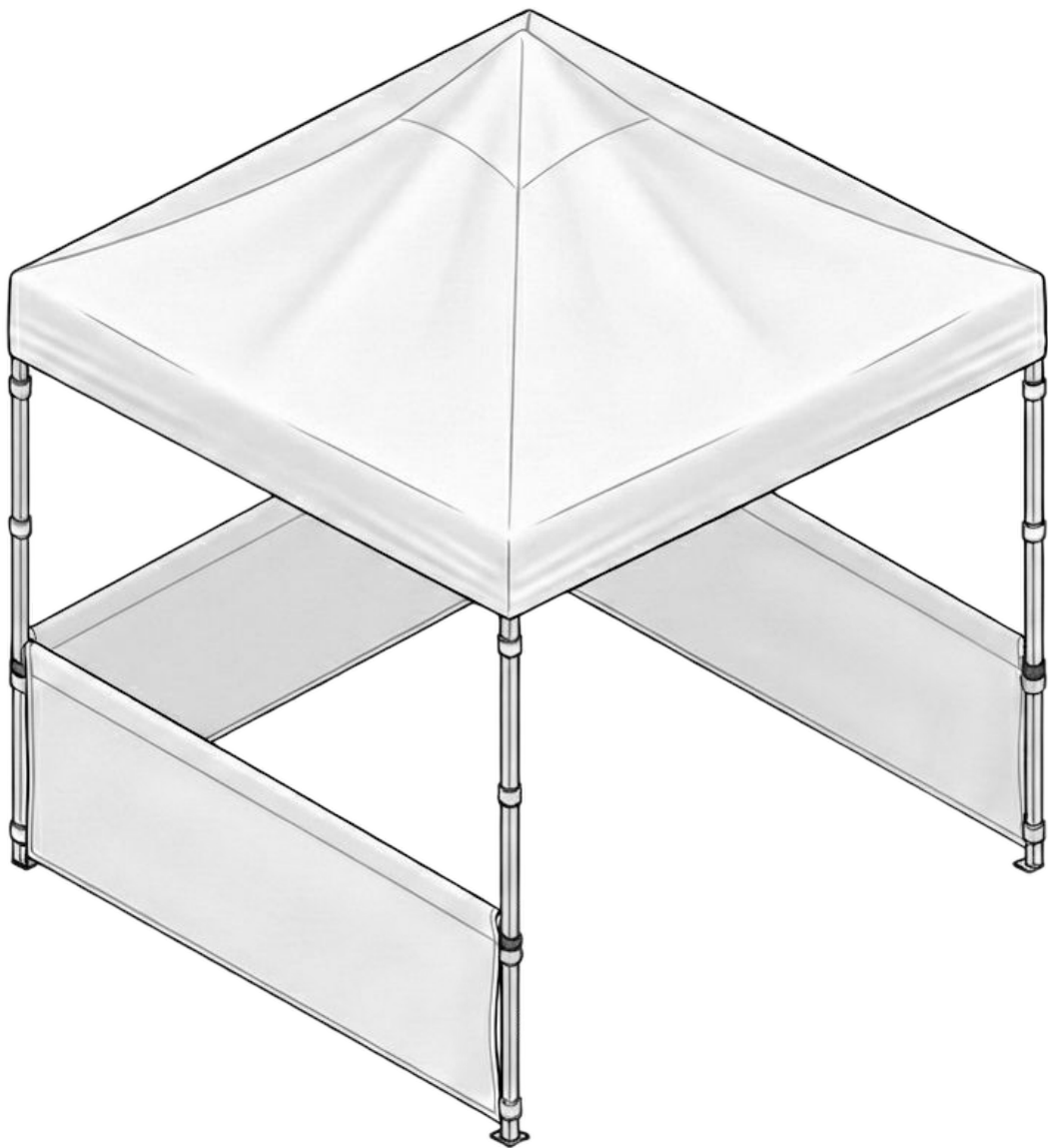
**Velcro Attachment**

Fasten the rain gutter's Velcro strips to the inside edges of both roof canopies to create a watertight seal.



# Half Wall

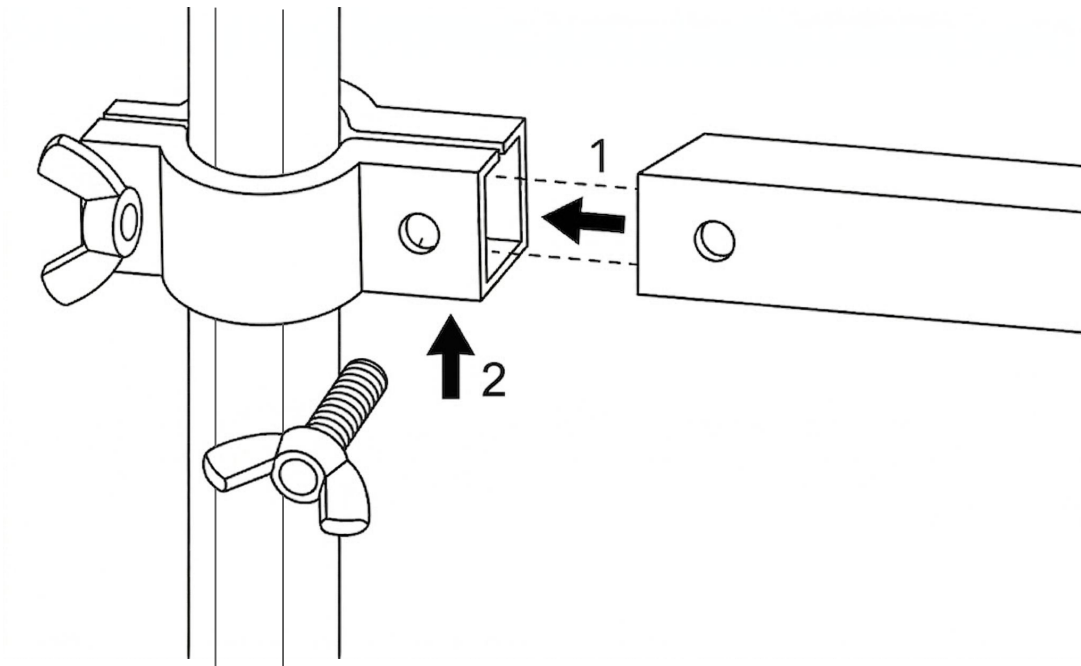
Mounting Instruction



# 1

## First Clamp

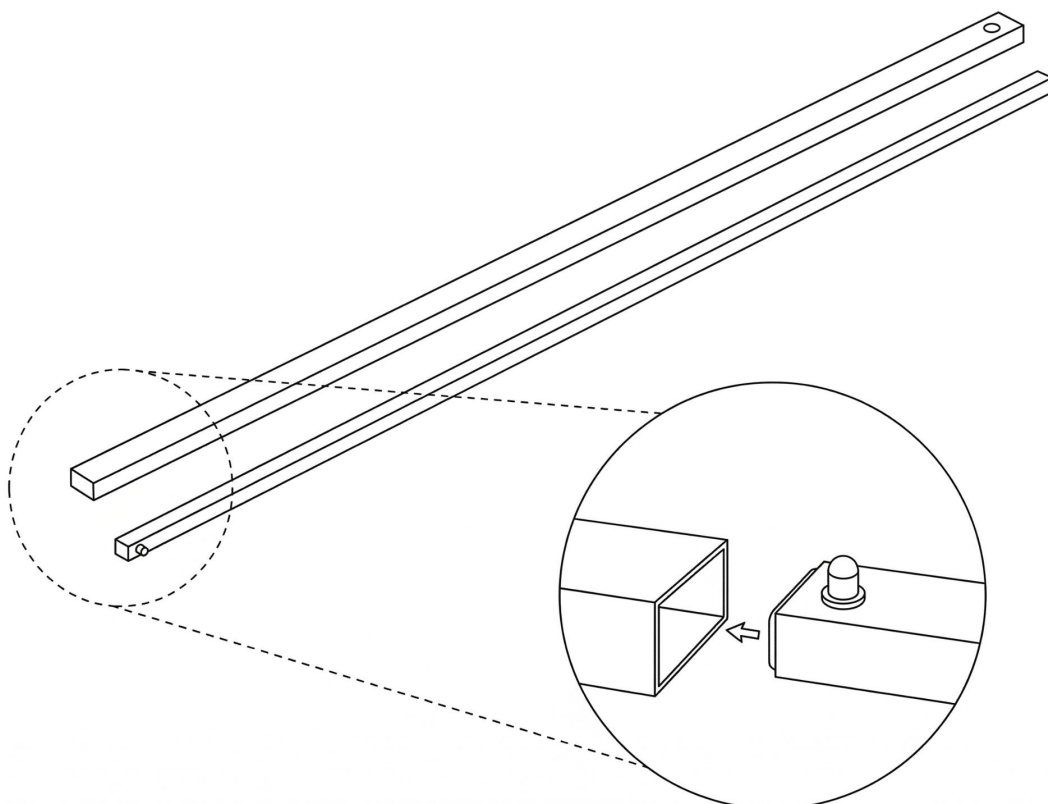
Attach the clamp and the larger square bar to the first tent leg. Tighten the wing nut.



# 2

## Connect Bars

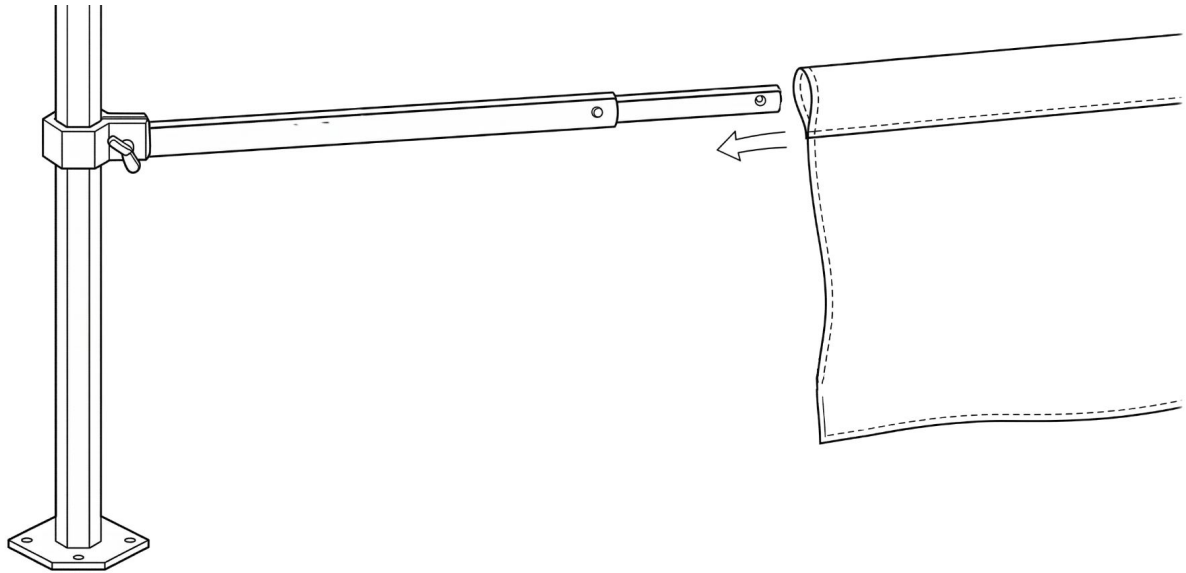
Slide the smaller square profile into the larger one to adjust the width.



# 3

## Add Fabric

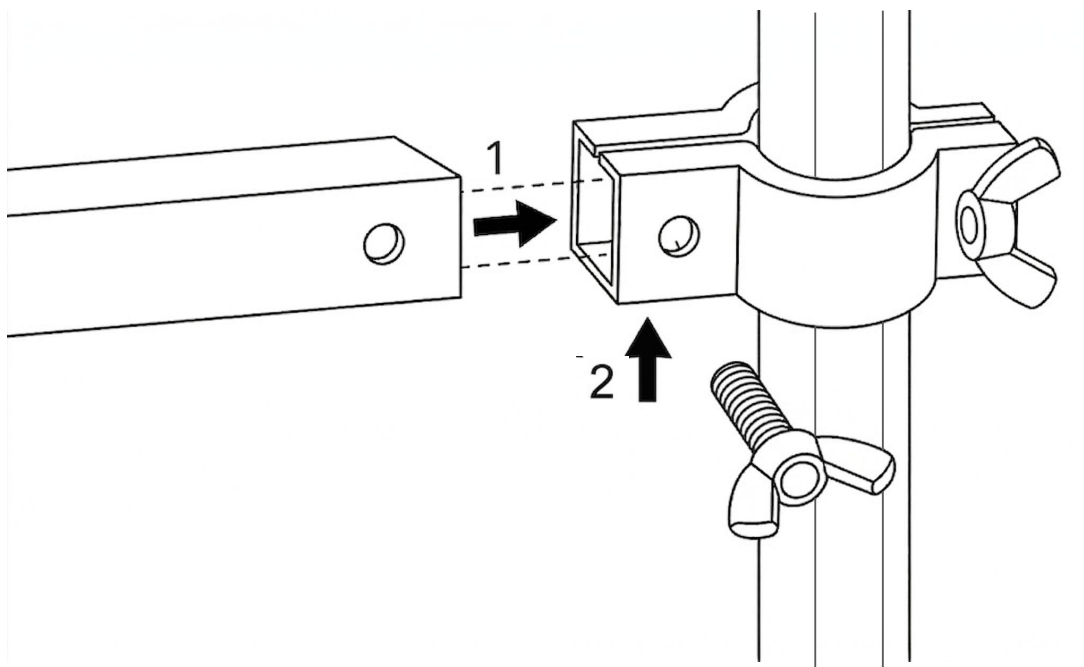
Slide the printed wall sleeve over the assembled horizontal bars.



# 4

## Second Clamp

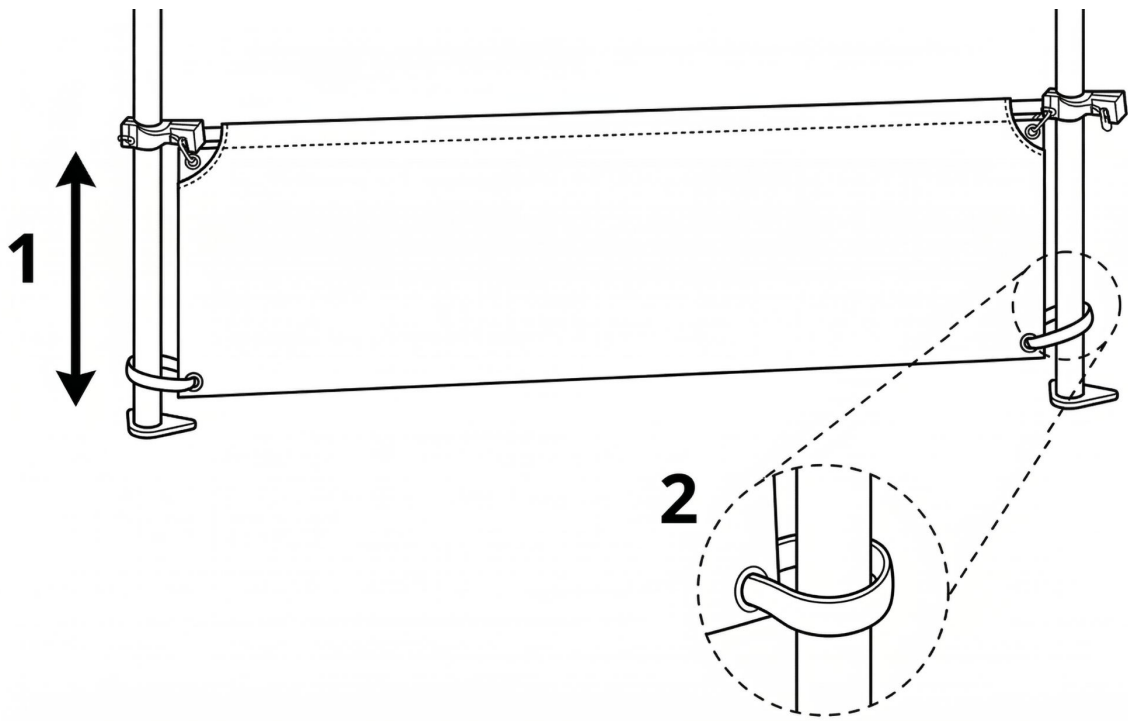
Mount the second clamp on the opposite leg and insert the other end of the bar.



# 5

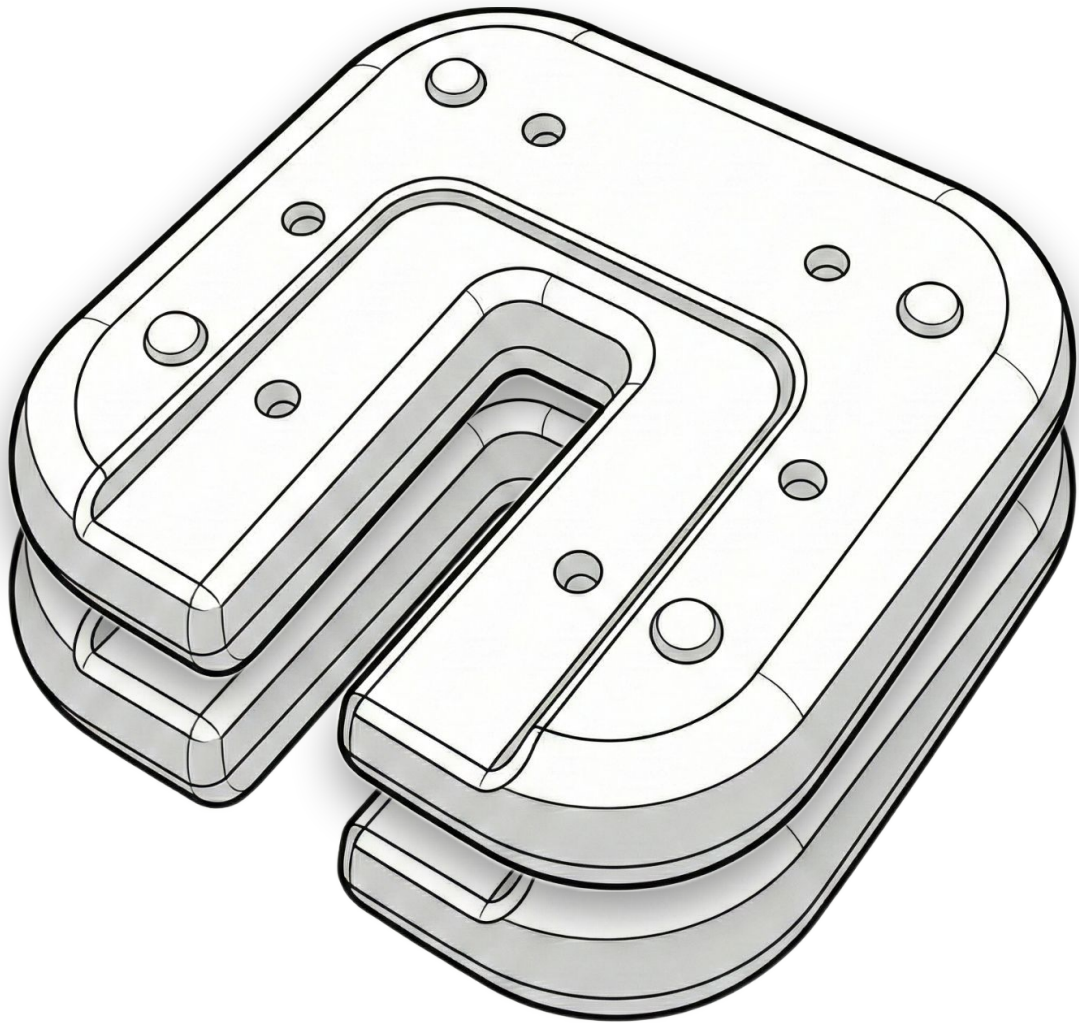
## Height & Tension

Adjust the height to level the bar, then fasten the side Velcro straps to the legs for a tight fit.



# Stackable Base Weight 8kg

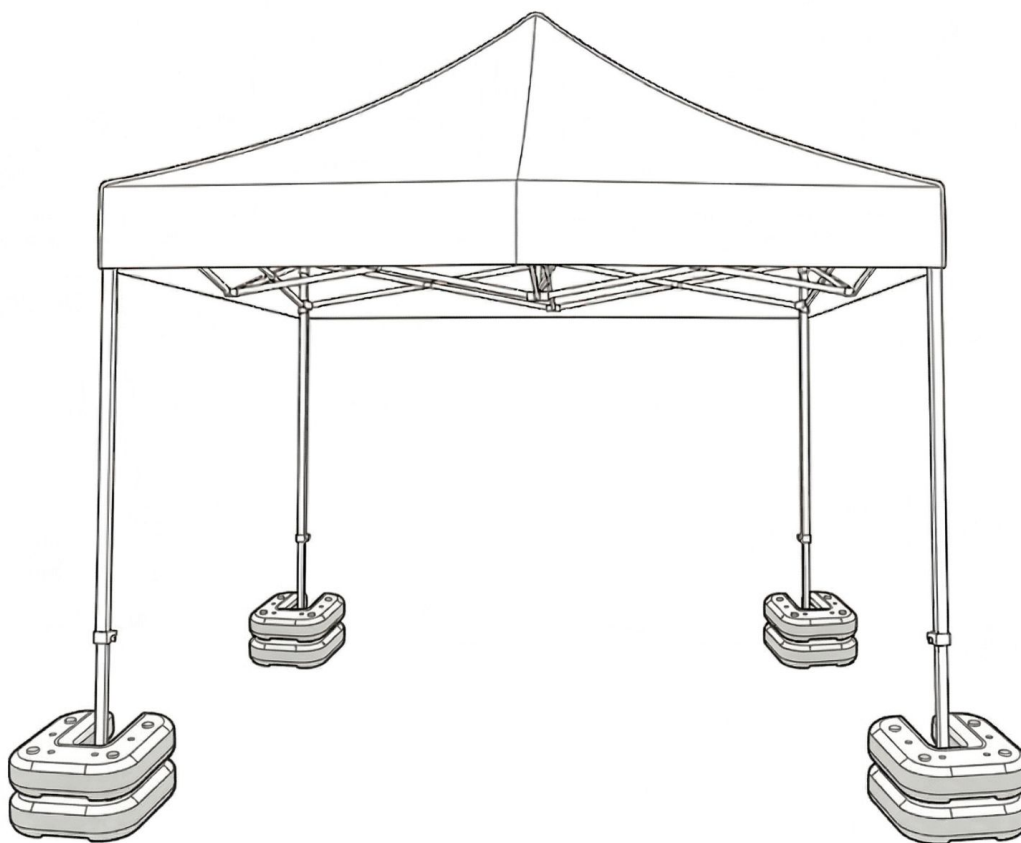
Mounting Instruction



# 1

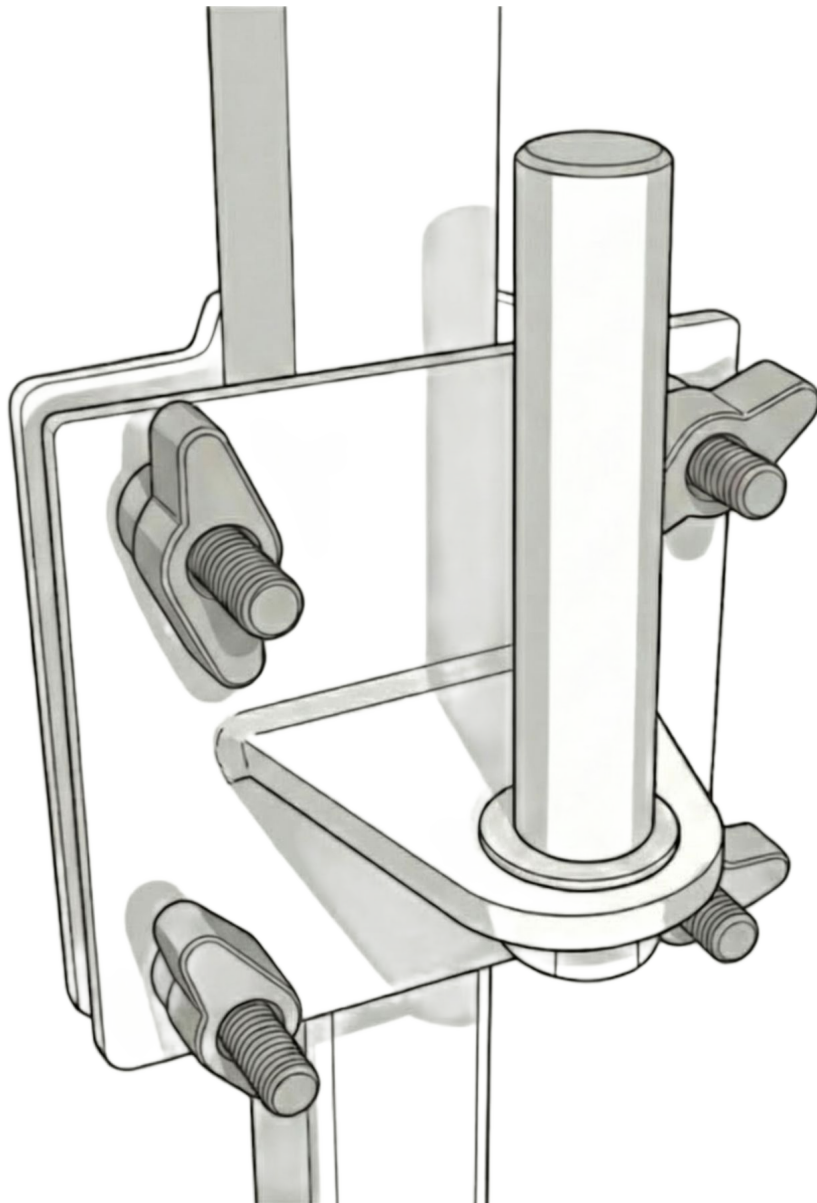
## Install the Base Weights

Slide the U-shaped base weights onto the tent feet at the bottom of each leg. Thanks to their stackable design, you can place multiple units on top of each other to increase ballast and ensure maximum stability.



# Tent Leg Flag Holder

Mounting Instruction

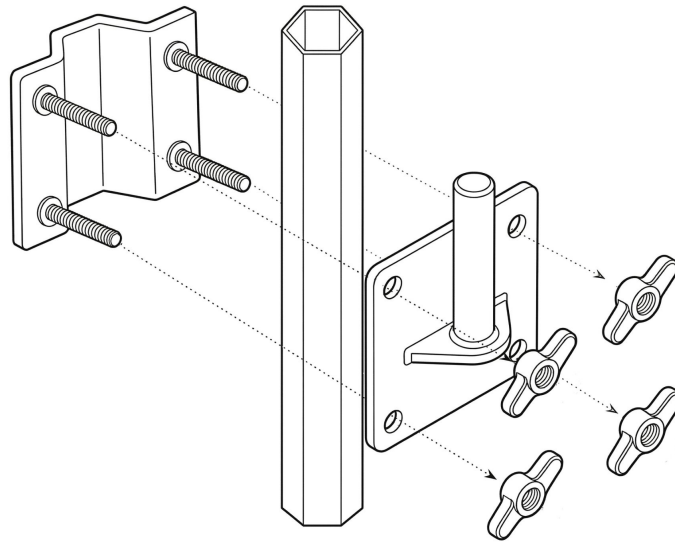


# 1

## Position and Secure the Clamp

Place the two metal clamp plates around the hexagonal aluminum tent leg at your desired height. Insert the four mounting screws and tighten the wing nuts firmly by hand only.

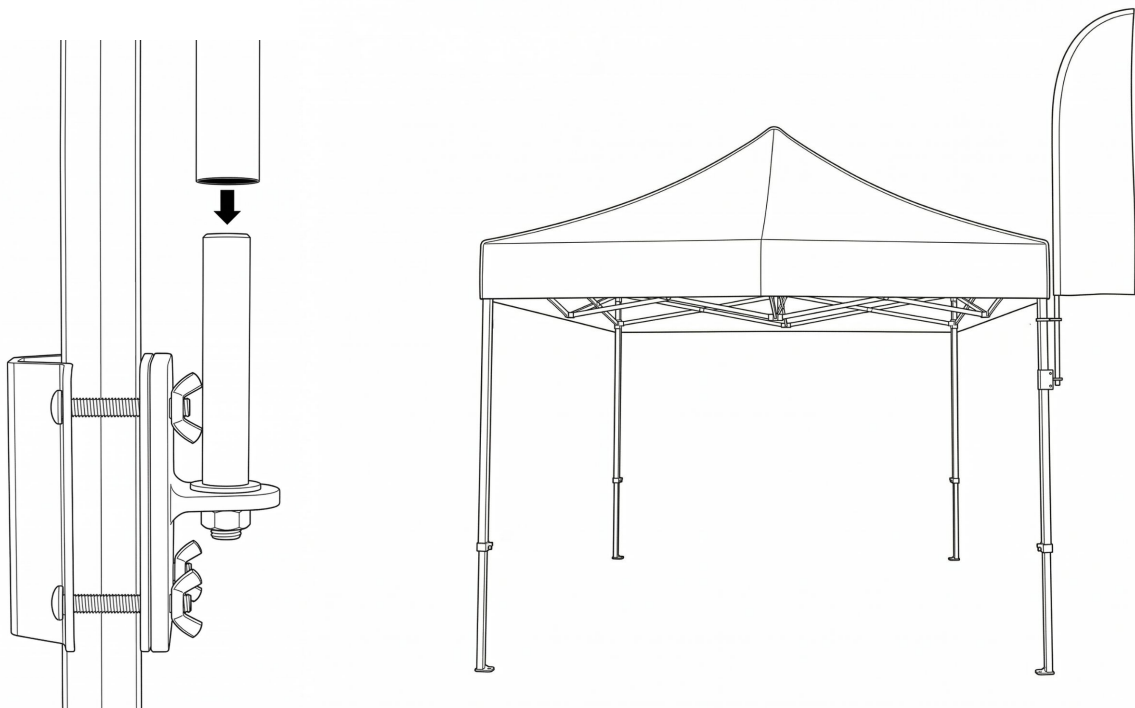
**Important:** Do not use tools like pliers or wrenches, as over-tightening can crush the aluminum profile.



# 2

## Attach the Flag Pole

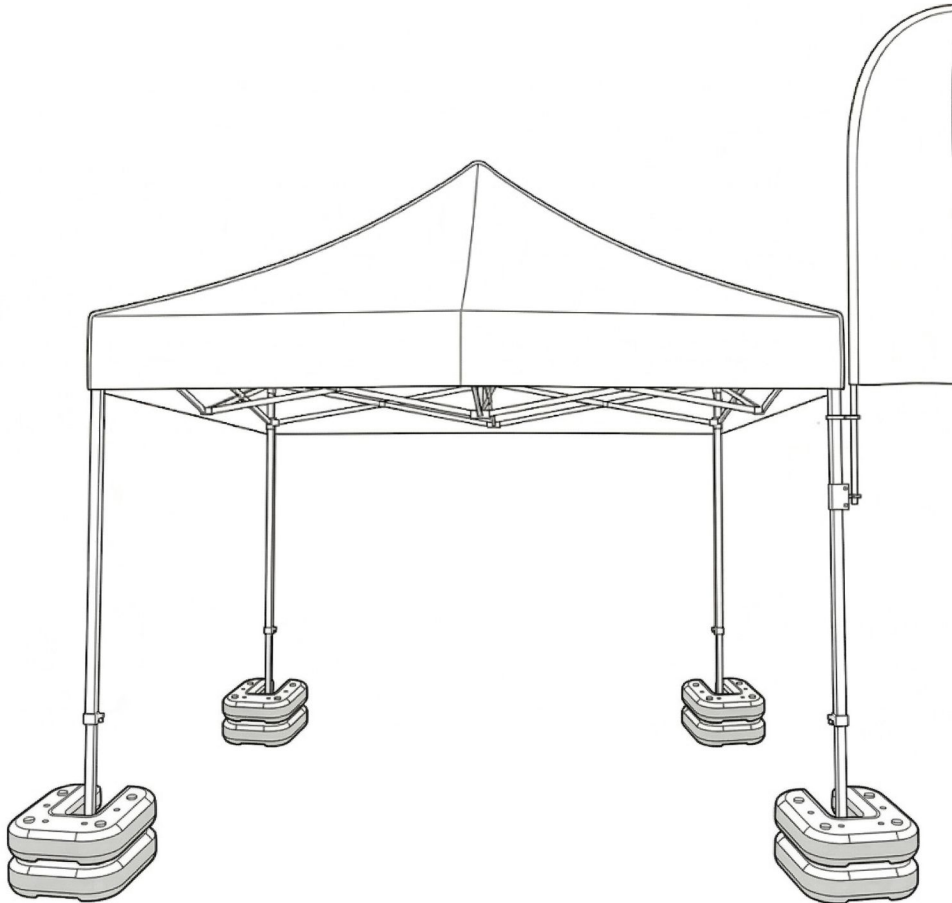
Once the clamp is securely fixed to the tent leg, slide your Beach Flag pole onto the vertical adapter pin located on the outer part of the bracket. Ensure the pole is seated fully down onto the built-in rotator.



# 3

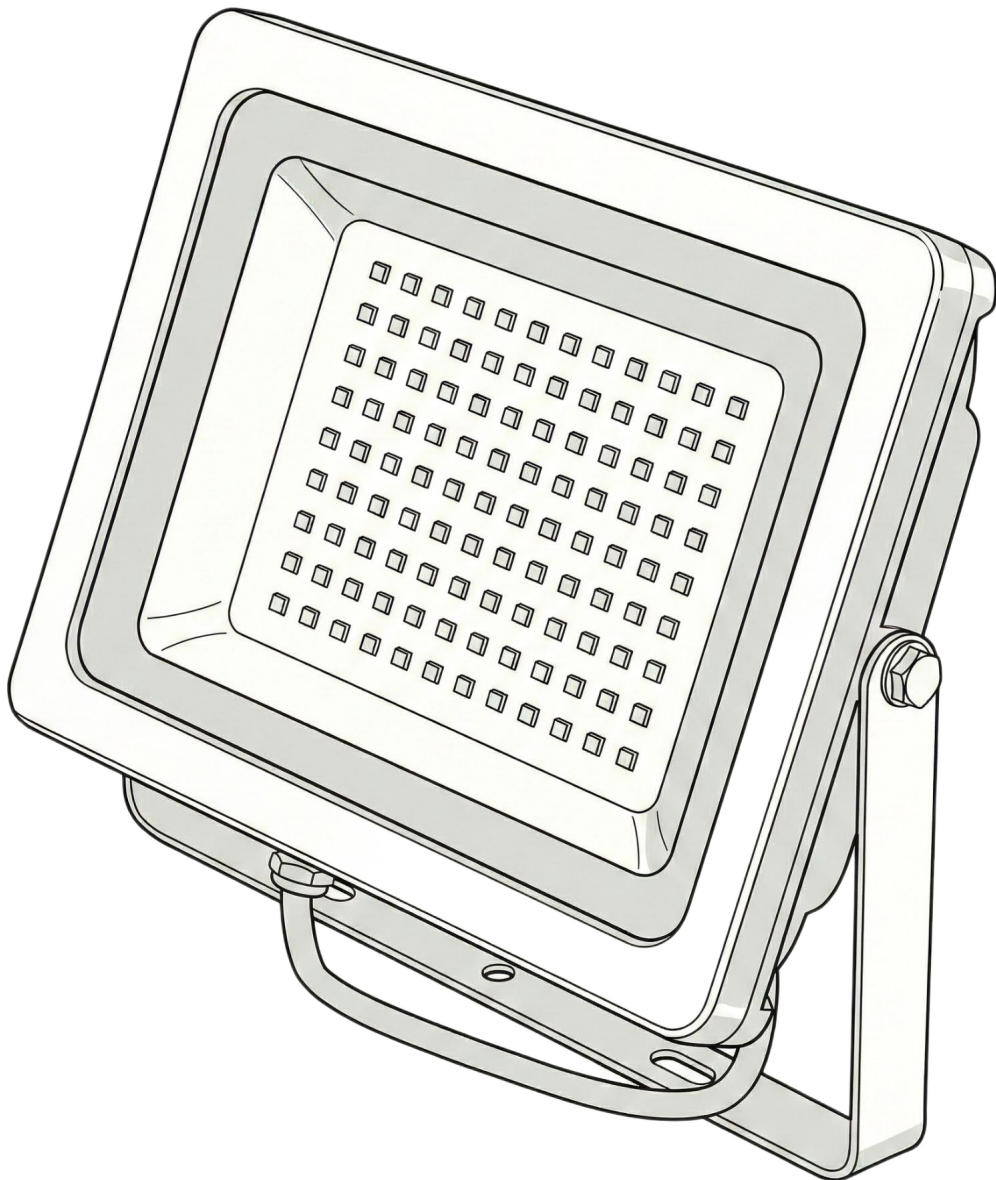
## Balance and Ballast Safety

Adding a flag significantly alters the tent's aerodynamics and center of gravity. For safety, you must add additional Stackable Base Weights to the legs; the leg with the flag requires a minimum total load of 25-30 kg to ensure stability.



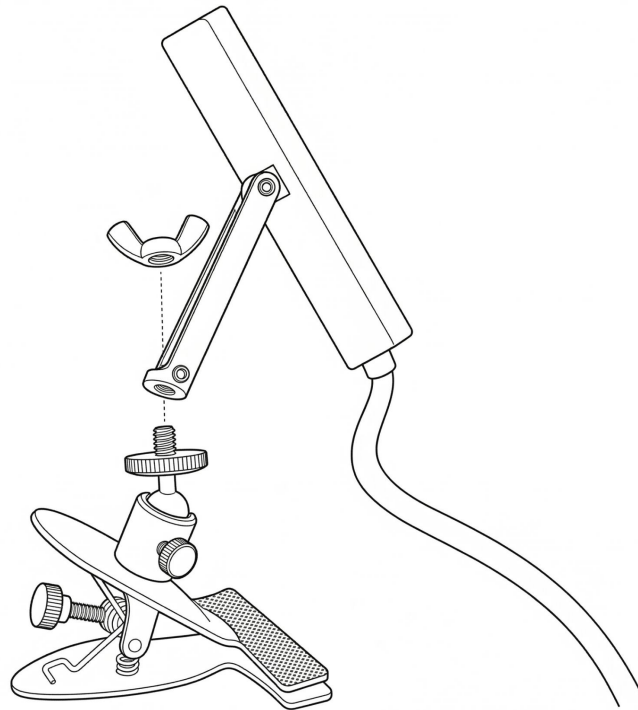
# High-Power LED Floodlight

Mounting Instruction

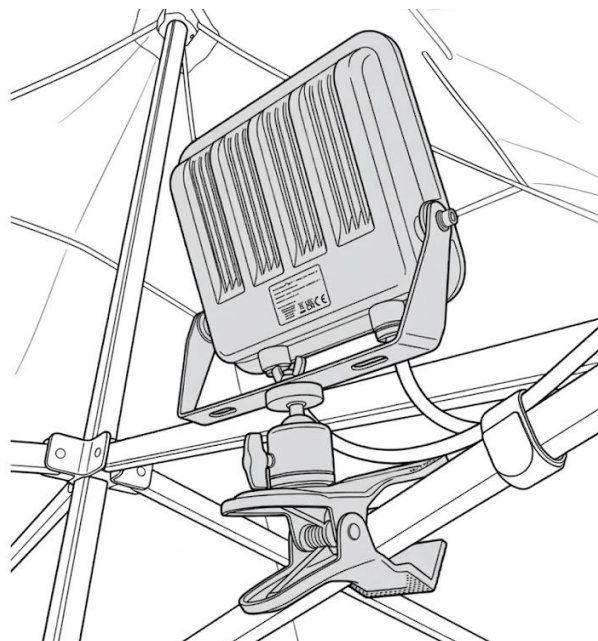


**1****Assemble the Mount**

Attach the High-Power LED Floodlight to the ball head of the studio clamp. Secure it by tightening the wing nut onto the mounting screw until the lamp is firmly held in place.

**2****Clamp to the Frame**

Open the spring clamp and fasten it securely to the tent's cross-frame or hexagonal leg profile. Adjust the ball head to your desired angle and tighten the side locking screw to fix the illumination position.



# 3

## Secure the Cables

Connect the power cable to a standard outlet. Use the provided Hook and Loop cable ties to neatly wrap and secure the power cord along the tent frame, ensuring a clean setup and preventing trip hazards.

